



ALAN GLOVER
CARSON CITY CLERK - RECORDER
ELECTION DIVISION
885 East Musser Street, Suite #1025A
Carson City, Nevada 89701-4475

Telephone: (775) 887-2087

Fax: (775) 887-2146

STATE OF NEVADA
CARSON CITY

ABSTRACT OF THE VOTE

I, Alan Glover, Carson City Clerk-Recorder, do hereby certify the enclosed to be a full, true, and correct statement of the Vote of said City, polled at the September 5, 2000, Primary Election; and I hereby further certify that the whole number of votes cast in said City, and the whole number of votes set forth as the total of the respective precincts and voting districts, as said statement appears in the Records of the proceedings of the Board of Supervisors of Carson City, Nevada, now in my custody.

In testimony whereof, I have hereunto set my hand and affixed the Seal of Carson City, Nevada, this 7th day of September, 2000.

ALAN GLOVER
CARSON CITY CLERK-RECORDER

NOTICES

Your *precinct* is the number printed above your name on the address label. Your polling place address, **where you go to vote on ELECTION DAY** is:

POLLING PLACE

BREWERY ARTS CENTER
449 W. King St.

IMPORTANT

For your voting convenience, take this sample ballot with you to your polling place **ELECTION DAY!**

POLLS OPEN 7 A.M. - CLOSE 7 P.M.

NRS 293.780 **Voting more than once at same election.**

1. A person who is entitled to vote shall not vote or attempt to vote more than once at the same election. Any person who votes or attempts to vote twice at the same election is guilty of a Category D Felony.

AVOID DELAY - VOTE EARLY IN THE DAY
INQUIRIES - 887-2087

ALAN GLOVER
Carson City Clerk &
Registrar of Voters
885 E. Mueser St., Suite 1025
Carson City, Nv 89701

NON-PROFIT ORG
U.S. POSTAGE
PAID
Carson City, NV
Permit No. 188

SAMPLE BALLOT

TO:

OFFICIAL
REPUBLICAN

PRIMARY ELECTION BALLOT
TUESDAY, SEPTEMBER 5, 2000
CARSON CITY
ASSEMBLY

DISTRICT NO. **37**

INSTRUCTIONS TO VOTERS

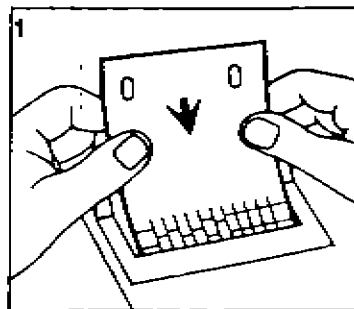
PUNCH OUT BALLOT CARD ONLY WITH PUNCHING DEVICE;
NEVER WITH PEN OR PENCIL.

To vote for a candidate of your selection, punch the ballot card in the hole next to the name of that candidate.

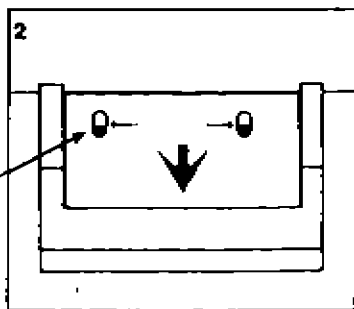
All distinguishing marks or erasures are forbidden and make the ballot void. If you incorrectly punch, tear, or deface the ballot card, return it and obtain another.

VOTING RECORDER INSTRUCTIONS

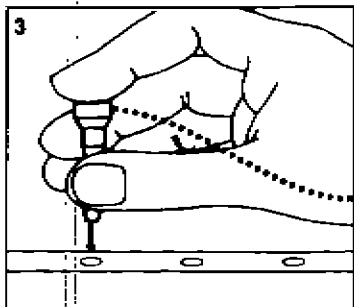
Step 1 Using both hands, insert the ballot card all the way into the Vote Recorder.



Step 2 Be sure the two slots in the end of your card fit down over the two red pins.



Step 3 To vote, hold the voting instrument straight up. Punch straight down through the ballot card for the candidates of your choice. Do not use pen or pencil.



Step 4 Vote all pages

Step 5 After voting, remove the ballot card from the Vote Recorder and inspect to be sure rectangular shaped holes were cleanly and completely punched out.

Step 6 Insert ballot card into protective envelope and return to the Election Board Officer.

THE FOLLOWING IS A LIST OF OFFICES AND CANDIDATES FOR OFFICE FOR WHICH THERE IS **NO OPPOSITION IN THE PRIMARY ELECTION**. THEIR NAMES WILL APPEAR ON THE GENERAL ELECTION BALLOT PURSUANT TO N.R.S. 293.565

UNITED STATES SENATOR
REPRESENTATIVE IN CONGRESS, #2
STATE ASSEMBLY, DISTRICT 38
STATE ASSEMBLY, DISTRICT 38
STATE ASSEMBLY, DISTRICT 39
STATE ASSEMBLY, DISTRICT 39
STATE ASSEMBLY DISTRICT 40
STATE ASSEMBLY DISTRICT 40
SUPREME COURT JUSTICE SEAT C
SUPREME COURT JUSTICE SEAT F
UNIVERSITY BOARD OF REGENTS,
DISTRICT 3, SUBDISTRICT B
SUPERVISOR, WARD 2
JUSTICE OF THE PEACE, DEPT. 2
HOSPITAL TRUSTEE, DISTRICT 2
HOSPITAL TRUSTEE, DISTRICT 3
HOSPITAL TRUSTEE, DISTRICT 4
SCHOOL TRUSTEE, DISTRICT 2
SCHOOL TRUSTEE, DISTRICT 5
SCHOOL TRUSTEE, DISTRICT 7

ED BERNSTEIN (DEM)
TIERNEY CAHILL (DEM)
JOSEPH E. DINI, JR. (DEM)
ROGER BISHOP (REP)
LYNN HETRICK (REP)
WILLIE EDWARDS (DEM)
BONNIE PARNELL (DEM)
JEANNE SIMONS (REP)
ROBERT E. ROSE (NP)
MYRON E. LEAVITT (NP)

JILL TALBOT DERBY (NP)
JON C. PLANK (NP)
JOHN TATRO (NP)
BASIL E. CHRYSOS (NP)
THOMAS R. METCALF (NP)
CALEB R. MILLS (NP)
DOUGLAS PONN (NP)
JOHN MCKENNA (NP)
JOANNA F. WILSON (NP)

3 | NONPARTISAN

JUSTICE OF THE PEACE DEPARTMENT 1		
(Six Year Term)		(Vote For ONE)
KREIDER, BILL	40	➔
WEDDELL, RON	41	➔
WILLIS, ROBEY B.	42	➔
MAYOR		
(Four Year Term)		(Vote For ONE)
KEETON, TOM	46	➔
MASAYKO, RAY	47	➔
TATRO, TOM	48	➔
WEAVER, NEIL A.	49	➔
SUPERVISOR WARD 4		
(Four Year Term)		(Vote For ONE)
HORTON, VERNE R.	52	➔
SHARP, FRANK L.	53	➔
STAUB, RICHARD S.	54	➔

For your voting convenience, take this sample ballot with you when you VOTE.

EARLY VOTING

(VOTING AT THE CLERK'S OFFICE)
885 E. MUSSER STREET
FIRST FLOOR

SATURDAY, AUGUST 19, 10 AM TO 6 PM

MONDAY, AUGUST 21, THRU
FRIDAY, AUGUST 25, 8 AM TO 6 PM

SATURDAY, AUGUST 26, 10 AM TO 6 PM

MONDAY, AUGUST 28, THRU
FRIDAY, SEPTEMBER 1, 8 AM TO 7 PM

**THE LAST DAY TO EARLY VOTE
AT THE CLERKS OFFICE IS FRIDAY,
SEPTEMBER 1, 8 AM TO 7PM**

**It is approximately 500 feet from the parking lot to
the Early Voting site.**

1 | REPUBLICAN

UNITED STATES SENATOR		
(Six Year Term)	(Vote For ONE)	
ENSIGN, JOHN		2 →
HAMZIK, RICHARD		3 →
PLATIN, FERNANDO JR.		4 →
NONE OF THESE CANDIDATES		5 →
REPRESENTATIVE IN CONGRESS DISTRICT TWO		
(Two Year Term)	(Vote For ONE)	
GIBBONS, JIM		8 →
TRACY, MITCHELL T.		9 →
STATE ASSEMBLY DISTRICT 37		
(Two Year Term)	(Vote For ONE)	
BROWER, GREG		12 →
WRIGHT, BUDDY		13 →

For your voting convenience, take this sample ballot with you when you VOTE.

2 | NONPARTISAN

SUPREME COURT JUSTICE SEAT G		
(Six Year Term)	(Vote For ONE)	
BACKUS, GARY		21 →
BECKER, NANCY A.		22 →
WILLIAMS, DAY R.		23 →
NONE OF THESE CANDIDATES		24 →
STATE BOARD OF EDUCATION DISTRICT 3, SUBDISTRICT B		
(Four Year Term)	(Vote For ONE)	
COOK, DAVE		28 →
MYERS, BARBARA J.		29 →
TRUSTY-MURPHY, MICHELLE		30 →

For your voting convenience, take this sample ballot with you when you VOTE.

NOTICES

Your *precinct* is the number printed above your name on the address label. Your polling place address, **where you go to vote on ELECTION DAY** is:

POLLING PLACE

CARSON MALL
1313 1/2 S. Carson St.

IMPORTANT

For your voting convenience, take this sample ballot with you to your polling place **ELECTION DAY**

POLLS OPEN 7 A.M. - CLOSE 7 P.M.

NRS 293.780 **Voting more than once at same election.**

1. A person who is entitled to vote shall not vote or attempt to vote more than once at the same election. Any person who votes or attempts to vote twice at the same election is guilty of a Category D Felony.

AVOID DELAY - VOTE EARLY IN THE DAY
INQUIRIES - 887-2087

ALAN GLOVER

Carson City Clerk &

Registrar of Voters

885 E. Musser St., Suite 1025

Carson City, NV 89701

NON-PROFIT ORG.
U.S. POSTAGE
PAID
Carson City, NV
Permit No. 188

SAMPLE BALLOT

TO:

OFFICIAL
DEMOCRAT

PRIMARY ELECTION BALLOT
TUESDAY, SEPTEMBER 5, 2000
CARSON CITY

INSTRUCTIONS TO VOTERS

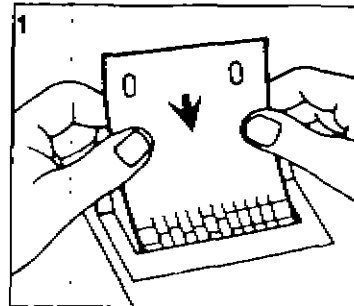
PUNCH OUT BALLOT CARD ONLY WITH PUNCHING DEVICE;
NEVER WITH PEN OR PENCIL.

To vote for a candidate of your selection, punch the ballot card in the hole next to the right of the name of that candidate.

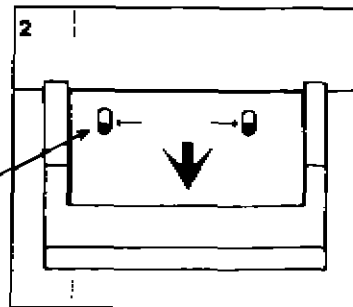
All distinguishing marks or erasures are forbidden and make the ballot void. If you incorrectly punch, tear, or deface the ballot card, return it and obtain another.

VOTING RECORDER INSTRUCTIONS

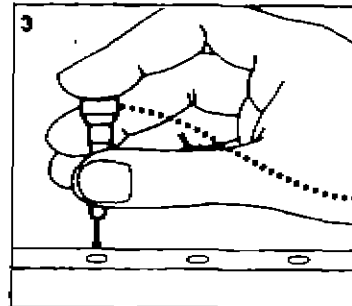
Step 1 Using both hands, insert the ballot card all the way into the Vote Recorder.



Step 2 Be sure the two slots in the end of your card fit down over the two red pins.



Step 3 To vote, hold the voting instrument straight up. Punch straight down through the ballot card for the candidates of your choice. Do not use pen or pencil.



Step 4 Vote all pages

Step 5 After voting, remove the ballot card from the Vote Recorder and inspect to be sure rectangular shaped holes were cleanly and completely punched out.

Step 6 Insert ballot card into protective envelope and return to the Election Board Officer.

THE FOLLOWING IS A LIST OF OFFICES AND CANDIDATES FOR OFFICE FOR WHICH THERE IS **NO OPPOSITION IN THE PRIMARY ELECTION**. THEIR NAMES WILL APPEAR ON THE GENERAL ELECTION BALLOT PURSUANT TO N.R.S. 293.565

UNITED STATES SENATOR
REPRESENTATIVE IN CONGRESS, #2
STATE ASSEMBLY, DISTRICT 38
STATE ASSEMBLY, DISTRICT 38
STATE ASSEMBLY, DISTRICT 39
STATE ASSEMBLY, DISTRICT 39
STATE ASSEMBLY DISTRICT 40
STATE ASSEMBLY DISTRICT 40
SUPREME COURT JUSTICE SEAT C
SUPREME COURT JUSTICE SEAT F
UNIVERSITY BOARD OF REGENTS,
DISTRICT 3, SUBDISTRICT B
SUPERVISOR, WARD 2
JUSTICE OF THE PEACE, DEPT. 2
HOSPITAL TRUSTEE, DISTRICT 2
HOSPITAL TRUSTEE, DISTRICT 3
HOSPITAL TRUSTEE, DISTRICT 4
SCHOOL TRUSTEE, DISTRICT 2
SCHOOL TRUSTEE, DISTRICT 5
SCHOOL TRUSTEE, DISTRICT 7

ED BERNSTEIN (DEM)
TIERNEY CAHILL (DEM)
JOSEPH E. DINI, JR. (DEM)
ROGER BISHOP (REP)
LYNN HETTRICK (REP)
WILLIE EDWARDS (DEM)
BONNIE PARNELL (DEM)
JEANNE SIMONS (REP)
ROBERT E. ROSE (NP)
MYRON E. LEAVITT (NP)

JILL TALBOT DERBY (NP)
JON C. PLANK (NP)
JOHN TATRO (NP)
BASIL E. CHRYSOS (NP)
THOMAS R. METCALF (NP)
CALEB R. MILLS (NP)
DOUGLAS PONN (NP)
JOHN MCKENNA (NP)
JOANNA F. WILSON (NP)

3 | NONPARTISAN

JUSTICE OF THE PEACE DEPARTMENT 1	
(Six Year Term)	(Vote For ONE)
KREIDER, BILL :	40 →
WEDDELL, RON	41 →
WILLIS, ROBEY B.	42 →
MAYOR	
(Four Year Term)	(Vote For ONE)
KEETON, TOM	46 →
MASAYKO, RAY	47 →
TATRO, TOM	48 →
WEAVER, NEIL A.	49 →
SUPERVISOR WARD 4	
(Four Year Term)	(Vote For ONE)
HORTON, VERNE R.	52 →
SHARP, FRANK L.	53 →
STAUB, RICHARD S.	54 →

For your voting convenience, take this sample ballot with you when you VOTE.

EARLY VOTING

(VOTING AT THE CLERK'S OFFICE)
885 E. MUSSER STREET
FIRST FLOOR

SATURDAY, AUGUST 19, 10 AM TO 6 PM

MONDAY, AUGUST 21, THRU
FRIDAY, AUGUST 25, 8 AM TO 6 PM

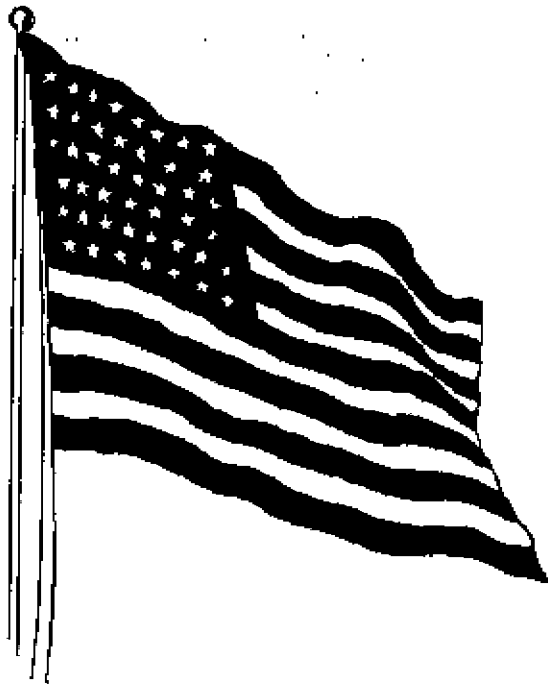
SATURDAY, AUGUST 26, 10 AM TO 6 PM

MONDAY, AUGUST 28, THRU
FRIDAY, SEPTEMBER 1, 8 AM TO 7 PM

**THE LAST DAY TO EARLY VOTE
AT THE CLERKS OFFICE IS FRIDAY,
SEPTEMBER 1, 8 AM TO 7PM**

It is approximately 500 feet from the parking lot to the Early Voting site.

THERE IS NO DEMOCRAT PRIMARY THIS YEAR



2 | NONPARTISAN

SUPREME COURT JUSTICE SEAT G (Six Year Term) (Vote For ONE)	
BACKUS, GARY	21 →
BECKER, NANCY A.	22 →
WILLIAMS, DAY R.	23 →
NONE OF THESE CANDIDATES	24 →
STATE BOARD OF EDUCATION DISTRICT 3, SUBDISTRICT B (Four Year Term) (Vote For ONE)	
COOK, DAVE	28 →
MYERS, BARBARA J.	29 →
TRUSTY-MURPHY, MICHELLE	30 →

For your voting convenience, take this sample ballot with you when you VOTE.

NOTICES

Your *precinct* is the number printed above your name on the address label. Your polling place address, **where you go to vote on ELECTION DAY** is:

POLLING PLACE

ARMORY
2551 S. Carson St.

IMPORTANT

For your voting convenience, take this sample ballot with you to your polling place **ELECTION DAY**

POLLS OPEN 7 A.M. - CLOSE 7 P.M.

NRS 293.780 **Voting more than once at same election.**

1. A person who is entitled to vote shall not vote or attempt to vote more than once at the same election. Any person who votes or attempts to vote twice at the same election is guilty of a Category D Felony.

AVOID DELAY - VOTE EARLY IN THE DAY
INQUIRIES - 887-2087

ALAN GLOVER
Carson City Clerk &
Registrar of Voters
885 E. Musser St., Suite 1025
Carson City, Nv 89701

NON-PROFIT ORG.
U.S. POSTAGE
PAID
Carson City, NV
Permit No. 188

SAMPLE BALLOT

TO:

OFFICIAL
NONPARTISAN

PRIMARY ELECTION BALLOT
TUESDAY, SEPTEMBER 5, 2000
CARSON CITY

INSTRUCTIONS TO VOTERS

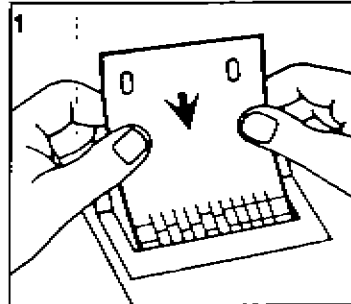
PUNCH OUT BALLOT CARD ONLY WITH PUNCHING DEVICE;
NEVER WITH PEN OR PENCIL.

To vote for a candidate of your selection, punch the ballot card in the hole next to the right of the name of that candidate.

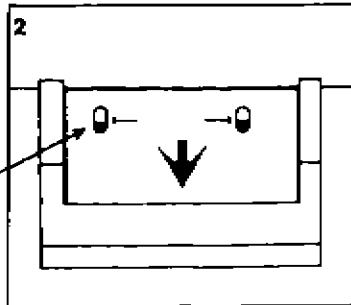
All distinguishing marks or erasures are forbidden and make the ballot void. If you incorrectly punch, tear, or deface the ballot card, return it and obtain another.

VOTING RECORDER INSTRUCTIONS

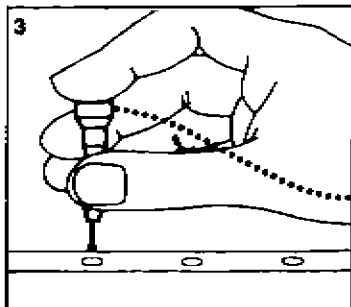
Step 1 Using both hands, insert the ballot card all the way into the Vote Recorder.



Step 2 Be sure the two slots in the end of your card fit down over the two red pins.



Step 3 To vote, hold the voting instrument straight up. Punch straight down through the ballot card for the candidates of your choice. Do not use pen or pencil.



Step 4 Vote all pages

Step 5 After voting, remove the ballot card from the Vote Recorder and inspect to be sure rectangular-shaped holes were cleanly and completely punched out.

Step 6 Insert ballot card into protective envelope and return to the Election Board Officer.

THE FOLLOWING IS A LIST OF OFFICES AND CANDIDATES FOR OFFICE FOR WHICH THERE IS **NO OPPOSITION IN THE PRIMARY ELECTION**. THEIR NAMES WILL APPEAR ON THE GENERAL ELECTION BALLOT PURSUANT TO N.R.S. 293.565

UNITED STATES SENATOR
REPRESENTATIVE IN CONGRESS, #2
STATE ASSEMBLY, DISTRICT 38
STATE ASSEMBLY, DISTRICT 38
STATE ASSEMBLY, DISTRICT 39
STATE ASSEMBLY, DISTRICT 39
STATE ASSEMBLY DISTRICT 40
STATE ASSEMBLY DISTRICT 40
SUPREME COURT JUSTICE SEAT C
SUPREME COURT JUSTICE SEAT F
UNIVERSITY BOARD OF REGENTS,
DISTRICT 3, SUBDISTRICT B
SUPERVISOR, WARD 2
JUSTICE OF THE PEACE, DEPT. 2
HOSPITAL TRUSTEE, DISTRICT 2
HOSPITAL TRUSTEE, DISTRICT 3
HOSPITAL TRUSTEE, DISTRICT 4
SCHOOL TRUSTEE, DISTRICT 2
SCHOOL TRUSTEE, DISTRICT 5
SCHOOL TRUSTEE, DISTRICT 7

ED BERNSTEIN (DEM)
TIERNEY CAHILL (DEM)
JOSEPH E. DINI, JR. (DEM)
ROGER BISHOP (REP)
LYNN HETTRICK (REP)
WILLIE EDWARDS (DEM)
BONNIE PARNELL (DEM)
JEANNE SIMONS (REP)
ROBERT E. ROSE (NP)
MYRON E. LEAVITT (NP)

JILL TALBOT DERBY (NP)
JON C. PLANK (NP)
JOHN TATRO (NP)
BASIL E. CHRYSOS (NP)
THOMAS R. METCALF (NP)
CALEB R. MILLS (NP)
DOUGLAS PONN (NP)
JOHN MCKENNA (NP)
JOANNA F. WILSON (NP)

3 | NONPARTISAN

JUSTICE OF THE PEACE DEPARTMENT 1	
(Six Year Term)	(Vote For ONE)
KREIDER, BILL	40 →
WEDDELL, RON	41 →
WILLIS, ROBEY B.	42 →
MAYOR	
(Four Year Term)	(Vote For ONE)
KEETON, TOM	46 →
MASAYKO, RAY	47 →
TATRO, TOM	48 →
WEAVER, NEIL A.	49 →
SUPERVISOR WARD 4	
(Four Year Term)	(Vote For ONE)
HORTON, VERNE R.	52 →
SHARP, FRANK L.	53 →
STAUB, RICHARD S.	54 →

For your voting convenience, take this sample ballot with you when you VOTE.

EARLY VOTING

(VOTING AT THE CLERK'S OFFICE)
885 E. MUSSER STREET
FIRST FLOOR

SATURDAY, AUGUST 19, 10 AM TO 6 PM

MONDAY, AUGUST 21, THRU
FRIDAY, AUGUST 25, 8 AM TO 6 PM

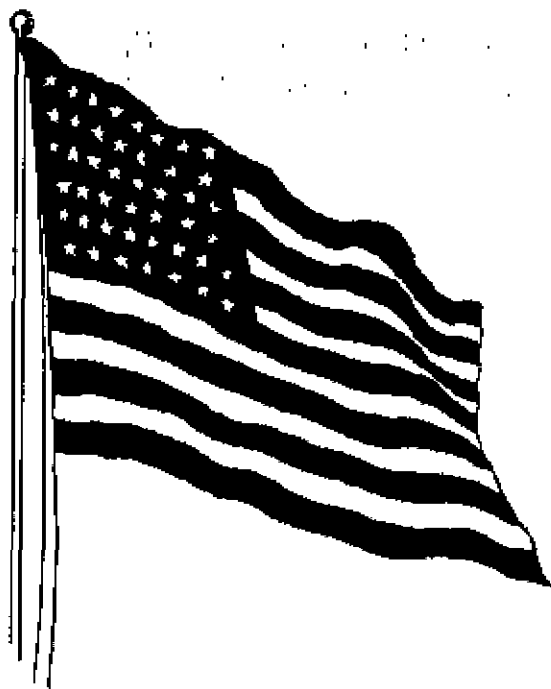
SATURDAY, AUGUST 26, 10 AM TO 6 PM

MONDAY, AUGUST 28, THRU
FRIDAY, SEPTEMBER 1, 8 AM TO 7 PM

**THE LAST DAY TO EARLY VOTE
AT THE CLERKS OFFICE IS FRIDAY,
SEPTEMBER 1, 8 AM TO 7PM**

It is approximately 500 feet from the parking lot to the Early Voting site.

THERE IS NO PAGE ONE (1) ON YOUR BALLOT



2 | NONPARTISAN

SUPREME COURT JUSTICE SEAT G	
(Six Year Term)	(Vote For ONE)
BACKUS, GARY	21 →
BECKER, NANCY A.	22 →
WILLIAMS, DAY R.	23 →
NONE OF THESE CANDIDATES	24 →
STATE BOARD OF EDUCATION DISTRICT 3, SUBDISTRICT B	
(Four Year Term)	(Vote For ONE)
COOK, DAVE	28 →
MYERS, BARBARA J.	29 →
TRUSTY-MURPHY, MICHELLE	30 →

For your voting convenience, take this sample ballot with you when you VOTE.

SUMMARY REPORT

=====				=====			
UNITED STATES SENATOR		31/	31	MAYOR		31/	31
REPUBLICAN		100.0		NONPARTISAN		100.0	
-----				-----			
ENSIGN, JOHN	REP	4669	86.0	KEETON, TOM	NP	825	9.0
HAMZIK, RICHARD	REP	389	7.2	MASAYKO, RAY	NP	3827	41.8
PLATIN, FERNANDO JR.	REP	54	1.0	TATRO, TOM	NP	3498	38.2
NONE OF THESE CANDIDATES		315	5.8	WEAVER, NEIL A.	NP	1005	11.0
=====				=====			
REP IN CONGRESS DIST 2		31/	31	SUPERVISOR WARD 4		31/	31
REPUBLICAN		100.0		NONPARTISAN		100.0	
-----				-----			
GIBBONS, JIM	REP	4861	92.3	HORTON, VERNE R.	NP	2586	30.1
TRACY, MITCHELL T.	REP	408	7.7	SHARP, FRANK L.	NP	2334	27.1
=====				=====			
STATE ASSEMBLY DIST 37		4/	4	STAUB, RICHARD S.	NP	3685	42.8
REPUBLICAN		100.0		-----			
-----				DEMOCRAT REGISTRATION			
BROWER, GREG	REP	1023	89.9	AND TURNOUT			
WRIGHT, BUDDY	REP	115	10.1	-----			
=====				REGISTRATION			
REPUBLICAN REGISTRATION				AND TURNOUT			
AND TURNOUT				-----			
REGISTRATION				7372			
TURNOUT				3146 42.7			
=====				=====			
NONPARTISAN REGISTRATION				AND TURNOUT			
AND TURNOUT				-----			
REGISTRATION				2670			
TURNOUT				650 24.3			
=====				=====			
SUPREME COURT SEAT G		31/	31	TOTAL REGISTRATION			
NONPARTISAN		100.0		AND TURNOUT			
-----				-----			
BACKUS, GARY	NP	1433	16.7	REGISTRATION			
BECKER, NANCY A.	NP	4575	53.3	21209			
WILLIAMS, DAY R.	NP	1401	16.3	PRECINCT TURNOUT			
NONE OF THESE CANDIDATES		1175	13.7	5485 25.9			
=====				-----			
STATE BOARD OF EDUCATION		31/	31	ABSENTEE TURNOUT			
DIST 3 SUB B NONPARTISAN		100.0		3813 18.0			
-----				TOTAL TURNOUT			
COOK, DAVE	NP	4288	50.8	9298 43.8			
MYERS, BARBARA J.	NP	2629	31.1	=====			
TRUSTY-MURPHY, MICHEL	NP	1528	18.1	=====			
=====				=====			
JUSTICE OF THE PEACE 1		31/	31				
NONPARTISAN		100.0					

KREIDER, BILL	NP	776	8.8				
WEDDELL, RON	NP	936	10.6				
WILLIS, ROBEY B.	NP	7130	80.6				
=====							

CARSON CITY PRIMARY ELECTION 2000
 SEPTEMBER 5, 2000
 Precinct 000001V DIST 1/PREC 101

Page 1
 Printed on 09/05/00 at 08:26 pm
 Talled HH 09/05/00 at 07:29 pm

=====

UNITED STATES SENATOR
 REPUBLICAN

ENSIGN, JOHN	REP	62	92.5
HAMZIK, RICHARD	REP	2	3.0
PLATIN, FERNANDO JR.	REP	0	0.0
NONE OF THESE CANDIDATES		3	4.5

=====

REP IN CONGRESS DIST 2
 REPUBLICAN

GIBBONS, JIM	REP	62	95.4
TRACY, MITCHELL T.	REP	3	4.6

=====

REPUBLICAN REGISTRATION
 AND TURNOUT

REGISTRATION	235		
TURNOUT	68	28.9	

=====

SUPREME COURT SEAT G
 NONPARTISAN

BACKUS, GARY	NP	29	20.7
BECKER, NANCY A.	NP	79	56.4
WILLIAMS, DAY R.	NP	15	10.7
NONE OF THESE CANDIDATES		17	12.1

=====

STATE BOARD OF EDUCATION
 DIST 3 SUB B NONPARTISAN

COOK, DAVE	NP	71	53.0
MYERS, BARBARA J.	NP	38	28.4
TRUSTY-MURPHY, MICHEL	NP	25	18.7

=====

JUSTICE OF THE PEACE 1
 NONPARTISAN

KREIDER, BILL	NP	6	4.3
WEDDELL, RON	NP	10	7.1
WILLIS, ROBEY B.	NP	125	88.7

=====

MAYOR
 NONPARTISAN

KEETON, TOM	NP	13	9.0
MASAYKO, RAY	NP	59	40.7
TATRO, TOM	NP	58	40.0
WEAVER, NEIL A.	NP	15	10.3

=====

=====

SUPERVISOR WARD 4
 NONPARTISAN

HORTON, VERNE R.	NP	55	40.1
SHARP, FRANK L.	NP	36	26.3
STAUB, RICHARD S.	NP	46	33.6

=====

DEMOCRAT REGISTRATION
 AND TURNOUT

REGISTRATION	188		
TURNOUT	66	35.1	

=====

NONPARTISAN REGISTRATION
 AND TURNOUT

REGISTRATION	45		
TURNOUT	12	26.7	

=====

REGISTRATION
 AND TURNOUT

REGISTRATION	468		
TURNOUT	146	31.2	

=====

CARSON CITY PRIMARY ELECTION 2000
 SEPTEMBER 5, 2000
 Precinct 000002V DIST 2/PREC 102

Page 1
 Printed on 09/05/00 at 08:26 pm
 Talled HH 09/05/00 at 07:41 pm

=====

UNITED STATES SENATOR
 REPUBLICAN

ENSIGN, JOHN	REP	46	82.1
HAMZIK, RICHARD	REP	4	7.1
PLATIN, FERNANDO JR.	REP	0	0.0
NONE OF THESE CANDIDATES		6	10.7

=====

REP IN CONGRESS DIST 2
 REPUBLICAN

GIBBONS, JIM	REP	50	92.6
TRACY, MITCHELL T.	REP	4	7.4

=====

REPUBLICAN REGISTRATION
 AND TURNOUT

REGISTRATION	262		
TURNOUT	57	21.8	

=====

SUPREME COURT SEAT G
 NONPARTISAN

BACKUS, GARY	NP	15	15.5
BECKER, NANCY A.	NP	50	51.5
WILLIAMS, DAY R.	NP	18	18.6
NONE OF THESE CANDIDATES		14	14.4

=====

STATE BOARD OF EDUCATION
 DIST 3 SUB B NONPARTISAN

COOK, DAVE	NP	43	45.3
MYERS, BARBARA J.	NP	33	34.7
TRUSTY-MURPHY, MICHEL	NP	19	20.0

=====

JUSTICE OF THE PEACE 1
 NONPARTISAN

KREIDER, BILL	NP	12	11.8
WEDDELL, RON	NP	11	10.8
WILLIS, ROBEY B.	NP	79	77.5

=====

MAYOR
 NONPARTISAN

KEETON, TOM	NP	14	13.1
MASAYKO, RAY	NP	40	37.4
TATRO, TOM	NP	45	42.1
WEAVER, NEIL A.	NP	8	7.5

=====

SUPERVISOR WARD 4
 NONPARTISAN

HORTON, VERNE R.	NP	33	33.0
SHARP, FRANK L.	NP	26	26.0
STAUB, RICHARD S.	NP	41	41.0

=====

DEMOCRAT REGISTRATION
 AND TURNOUT

REGISTRATION	223		
TURNOUT	43	19.3	

=====

NONPARTISAN REGISTRATION
 AND TURNOUT

REGISTRATION	80		
TURNOUT	8	10.0	

=====

REGISTRATION
 AND TURNOUT

REGISTRATION	565		
TURNOUT	108	19.1	

CARSON CITY PRIMARY ELECTION 2000
 SEPTEMBER 5, 2000
 Precinct 000003V DIST 3/PREC 104/117

=====

UNITED STATES SENATOR
 REPUBLICAN

ENSIGN, JOHN	REP	174	93.0
HAMZIK, RICHARD	REP	6	3.2
PLATIN, FERNANDO JR.	REP	0	0.0
NONE OF THESE CANDIDATES		7	3.7

=====

REP IN CONGRESS DIST 2
 REPUBLICAN

GIBBONS, JIM	REP	163	88.1
TRACY, MITCHELL T.	REP	22	11.9

=====

STATE ASSEMBLY DIST 37
 REPUBLICAN

BROWER, GREG	REP	146	90.7
WRIGHT, BUDDY	REP	15	9.3

=====

REPUBLICAN REGISTRATION
 AND TURNOUT

REGISTRATION		571	
TURNOUT		191	33.5

=====

SUPREME COURT SEAT G
 NONPARTISAN

BACKUS, GARY	NP	43	19.5
BECKER, NANCY A.	NP	124	56.4
WILLIAMS, DAY R.	NP	29	13.2
NONE OF THESE CANDIDATES		24	10.9

=====

STATE BOARD OF EDUCATION
 DIST 3 SUB B NONPARTISAN

COOK, DAVE	NP	117	51.1
MYERS, BARBARA J.	NP	53	23.1
TRUSTY-MURPHY, MICHEL	NP	59	25.8

=====

JUSTICE OF THE PEACE 1
 NONPARTISAN

KREIDER, BILL	NP	17	7.0
WEDDELL, RON	NP	25	10.3
WILLIS, ROBEY B.	NP	201	82.7

=====

MAYOR
 NONPARTISAN

KEETON, TOM	NP	15	5.8
MASAYKO, RAY	NP	122	46.9
TATRO, TOM	NP	98	37.7
WEAVER, NEIL A.	NP	25	9.6

=====

SUPERVISOR WARD 4
 NONPARTISAN

HORTON, VERNE R.	NP	88	37.0
SHARP, FRANK L.	NP	50	21.0
STAUB, RICHARD S.	NP	100	42.0

=====

DEMOCRAT REGISTRATION
 AND TURNOUT

REGISTRATION		235	
TURNOUT		58	24.7

=====

NONPARTISAN REGISTRATION
 AND TURNOUT

REGISTRATION		85	
TURNOUT		13	15.3

=====

REGISTRATION
 AND TURNOUT

REGISTRATION		891	
TURNOUT		262	29.4

=====

CARSON CITY PRIMARY ELECTION 2000
 SEPTEMBER 5, 2000
 Precinct 000004V DIST 4/PREC 106

=====

UNITED STATES SENATOR
 REPUBLICAN

ENSIGN, JOHN	REP	77	83.7
HAMZIK, RICHARD	REP	10	10.9
PLATIN, FERNANDO JR.	REP	0	0.0
NONE OF THESE CANDIDATES		5	5.4

=====

REP IN CONGRESS DIST 2
 REPUBLICAN

GIBBONS, JIM	REP	86	94.5
TRACY, MITCHELL T.	REP	5	5.5

=====

REPUBLICAN REGISTRATION
 AND TURNOUT

REGISTRATION	330		
TURNOUT	95	28.8	

=====

SUPREME COURT SEAT G
 NONPARTISAN

BACKUS, GARY	NP	17	11.6
BECKER, NANCY A.	NP	88	59.9
WILLIAMS, DAY R.	NP	24	16.3
NONE OF THESE CANDIDATES		18	12.2

=====

STATE BOARD OF EDUCATION
 DIST 3 SUB B NONPARTISAN

COOK, DAVE	NP	72	49.7
MYERS, BARBARA J.	NP	40	27.6
TRUSTY-MURPHY, MICHEL	NP	33	22.8

=====

JUSTICE OF THE PEACE 1
 NONPARTISAN

KREIDER, BILL	NP	15	9.8
WEDDELL, RON	NP	22	14.4
WILLIS, ROBEY B.	NP	116	75.8

=====

MAYOR
 NONPARTISAN

KEETON, TOM	NP	10	6.3
MASAYKO, RAY	NP	59	37.1
TATRO, TOM	NP	64	40.3
WEAVER, NEIL A.	NP	26	16.4

=====

SUPERVISOR WARD 4
 NONPARTISAN

HORTON, VERNE R.	NP	36	24.0
SHARP, FRANK L.	NP	33	22.0
STAUB, RICHARD S.	NP	81	54.0

=====

DEMOCRAT REGISTRATION
 AND TURNOUT

REGISTRATION	191		
TURNOUT	59	30.9	

=====

NONPARTISAN REGISTRATION
 AND TURNOUT

REGISTRATION	54		
TURNOUT	5	9.3	

=====

REGISTRATION
 AND TURNOUT

REGISTRATION	575		
TURNOUT	159	27.7	

CARSON CITY PRIMARY ELECTION 2000
 SEPTEMBER 5, 2000
 Precinct 000005V DIST 5/PREC107/110

Page 1
 Printed on 09/05/00 at 08:26 pm
 Talled HH 09/05/00 at 08:13 pm

=====

UNITED STATES SENATOR
 REPUBLICAN

ENSIGN, JOHN	REP	274	90.7
HAMZIK, RICHARD	REP	16	5.3
PLATIN, FERNANDO JR.	REP	0	0.0
NONE OF THESE CANDIDATES		12	4.0

=====

REP IN CONGRESS DIST 2
 REPUBLICAN

GIBBONS, JIM	REP	284	94.4
TRACY, MITCHELL T.	REP	17	5.6

=====

STATE ASSEMBLY DIST 37
 REPUBLICAN

BROWER, GREG	REP	241	90.6
WRIGHT, BUDDY	REP	25	9.4

=====

REPUBLICAN REGISTRATION
 AND TURNOUT

REGISTRATION	876		
TURNOUT	305	34.8	

=====

SUPREME COURT SEAT G
 NONPARTISAN

BACKUS, GARY	NP	54	14.9
BECKER, NANCY A.	NP	190	52.5
WILLIAMS, DAY R.	NP	66	18.2
NONE OF THESE CANDIDATES		52	14.4

=====

STATE BOARD OF EDUCATION
 DIST 3 SUB B NONPARTISAN

COOK, DAVE	NP	221	63.1
MYERS, BARBARA J.	NP	83	23.7
TRUSTY-MURPHY, MICHEL	NP	46	13.1

=====

JUSTICE OF THE PEACE 1
 NONPARTISAN

KREIDER, BILL	NP	32	8.5
WEDDELL, RON	NP	27	7.2
WILLIS, ROBEBY B.	NP	316	84.3

=====

MAYOR
 NONPARTISAN

KEETON, TOM	NP	39	9.8
MASAYKO, RAY	NP	159	39.8
TATRO, TOM	NP	180	45.1
WEAVER, NEIL A.	NP	21	5.3

=====

SUPERVISOR WARD 4
 NONPARTISAN

HORTON, VERNE R.	NP	108	30.4
SHARP, FRANK L.	NP	88	24.8
STAUB, RICHARD S.	NP	159	44.8

=====

DEMOCRAT REGISTRATION
 AND TURNOUT

REGISTRATION	306		
TURNOUT	83	27.1	

=====

NONPARTISAN REGISTRATION
 AND TURNOUT

REGISTRATION	139		
TURNOUT	19	13.7	

=====

REGISTRATION
 AND TURNOUT

REGISTRATION	1321		
TURNOUT	407	30.8	

CARSON CITY PRIMARY ELECTION 2000
 SEPTEMBER 5, 2000
 Precinct 000006V DIST 6/PREC 108

Page 1
 Printed on 09/05/00 at 08:26 pm
 Talled HH 09/05/00 at 07:55 pm

=====

UNITED STATES SENATOR
 REPUBLICAN

ENSIGN, JOHN	REP	81	86.2
HAMZIK, RICHARD	REP	7	7.4
PLATIN, FERNANDO JR.	REP	0	0.0
NONE OF THESE CANDIDATES		6	6.4

=====

REP IN CONGRESS DIST 2
 REPUBLICAN

GIBBONS, JIM	REP	91	96.8
TRACY, MITCHELL T.	REP	3	3.2

=====

STATE ASSEMBLY DIST 37
 REPUBLICAN

BROWER, GREG	REP	77	91.7
WRIGHT, BUDDY	REP	7	8.3

=====

REPUBLICAN REGISTRATION
 AND TURNOUT

REGISTRATION	268	
TURNOUT	98	36.6

=====

SUPREME COURT SEAT G
 NONPARTISAN

BACKUS, GARY	NP	23	18.5
BECKER, NANCY A.	NP	58	46.8
WILLIAMS, DAY R.	NP	26	21.0
NONE OF THESE CANDIDATES		17	13.7

=====

STATE BOARD OF EDUCATION
 DIST 3 SUB B NONPARTISAN

COOK, DAVE	NP	62	53.4
MYERS, BARBARA J.	NP	34	29.3
TRUSTY-MURPHY, MICHEL	NP	20	17.2

=====

JUSTICE OF THE PEACE 1
 NONPARTISAN

KREIDER, BILL	NP	12	10.0
WEDDELL, RON	NP	17	14.2
WILLIS, ROBEY B.	NP	91	75.8

=====

MAYOR
 NONPARTISAN

KEETON, TOM	NP	10	7.9
MASAYKO, RAY	NP	49	38.6
TATRO, TOM	NP	38	29.9
WEAVER, NEIL A.	NP	30	23.6

=====

SUPERVISOR WARD 4
 NONPARTISAN

HORTON, VERNE R.	NP	49	40.2
SHARP, FRANK L.	NP	22	18.0
STAUB, RICHARD S.	NP	51	41.8

=====

DEMOCRAT REGISTRATION
 AND TURNOUT

REGISTRATION	139	
TURNOUT	30	21.6

=====

NONPARTISAN REGISTRATION
 AND TURNOUT

REGISTRATION	38	
TURNOUT	5	13.2

=====

REGISTRATION
 AND TURNOUT

REGISTRATION	445	
TURNOUT	133	29.9

CARSON CITY PRIMARY ELECTION 2000
 SEPTEMBER 5, 2000
 Precinct 000007V DIST 7/PREC 109

=====

UNITED STATES SENATOR
 REPUBLICAN

ENSIGN, JOHN	REP	49	77.8
HAMZIK, RICHARD	REP	7	11.1
PLATIN, FERNANDO JR.	REP	1	1.6
NONE OF THESE CANDIDATES		6	9.5

=====

REP IN CONGRESS DIST 2
 REPUBLICAN

GIBBONS, JIM	REP	54	93.1
TRACY, MITCHELL T.	REP	4	6.9

=====

REPUBLICAN REGISTRATION
 AND TURNOUT

REGISTRATION	279		
TURNOUT	64	22.9	

=====

SUPREME COURT SEAT G
 NONPARTISAN

BACKUS, GARY	NP	15	12.6
BECKER, NANCY A.	NP	63	52.9
WILLIAMS, DAY R.	NP	17	14.3
NONE OF THESE CANDIDATES		24	20.2

=====

STATE BOARD OF EDUCATION
 DIST 3 SUB B NONPARTISAN

COOK, DAVE	NP	51	45.5
MYERS, BARBARA J.	NP	33	29.5
TRUSTY-MURPHY, MICHEL	NP	28	25.0

=====

JUSTICE OF THE PEACE 1
 NONPARTISAN

KREIDER, BILL	NP	6	5.0
WEDDELL, RON	NP	20	16.5
WILLIS, ROBEY B.	NP	95	78.5

=====

MAYOR
 NONPARTISAN

KEETON, TOM	NP	8	6.3
MASAYKO, RAY	NP	65	50.8
TATRO, TOM	NP	42	32.8
WEAVER, NEIL A.	NP	13	10.2

=====

SUPERVISOR WARD 4
 NONPARTISAN

HORTON, VERNE R.	NP	25	21.7
SHARP, FRANK L.	NP	37	32.2
STAUB, RICHARD S.	NP	53	46.1

=====

DEMOCRAT REGISTRATION
 AND TURNOUT

REGISTRATION	223		
TURNOUT	54	24.2	

=====

NONPARTISAN REGISTRATION
 AND TURNOUT

REGISTRATION	99		
TURNOUT	11	11.1	

=====

REGISTRATION
 AND TURNOUT

REGISTRATION	601		
TURNOUT	129	21.5	

CARSON CITY PRIMARY ELECTION 2000
 SEPTEMBER 5, 2000
 Precinct 000008V DIST 8/PREC 111/227

=====

UNITED STATES SENATOR
 REPUBLICAN

ENSIGN, JOHN	REP	56	83.6
HAMZIK, RICHARD	REP	8	11.9
PLATIN, FERNANDO JR.	REP	0	0.0
NONE OF THESE CANDIDATES		3	4.5

=====

REP IN CONGRESS DIST 2
 REPUBLICAN

GIBBONS, JIM	REP	60	89.6
TRACY, MITCHELL T.	REP	7	10.4

REPUBLICAN REGISTRATION
 AND TURNOUT

REGISTRATION	322		
TURNOUT	69	21.4	

=====

SUPREME COURT SEAT G
 NONPARTISAN

BACKUS, GARY	NP	23	19.0
BECKER, NANCY A.	NP	55	45.5
WILLIAMS, DAY R.	NP	26	21.5
NONE OF THESE CANDIDATES		17	14.0

STATE BOARD OF EDUCATION
 DIST 3 SUB B NONPARTISAN

COOK, DAVE	NP	59	51.8
MYERS, BARBARA J.	NP	40	35.1
TRUSTY-MURPHY, MICHEL	NP	15	13.2

JUSTICE OF THE PEACE 1
 NONPARTISAN

KREIDER, BILL	NP	13	10.9
WEDDELL, RON	NP	12	10.1
WILLIS, ROBEBY B.	NP	94	79.0

MAYOR
 NONPARTISAN

KEETON, TOM	NP	8	6.5
MASAYKO, RAY	NP	47	38.2
TATRO, TOM	NP	57	46.3
WEAVER, NEIL A.	NP	11	8.9

=====

SUPERVISOR WARD 4
 NONPARTISAN

HORTON, VERNE R.	NP	34	28.8
SHARP, FRANK L.	NP	23	19.5
STAUB, RICHARD S.	NP	61	51.7

=====

DEMOCRAT REGISTRATION
 AND TURNOUT

REGISTRATION	206		
TURNOUT	41	19.9	

=====

NONPARTISAN REGISTRATION
 AND TURNOUT

REGISTRATION	73		
TURNOUT	15	20.5	

=====

REGISTRATION
 AND TURNOUT

REGISTRATION	601		
TURNOUT	125	20.8	

=====

CARSON CITY PRIMARY ELECTION 2000
 SEPTEMBER 5, 2000
 Precinct 000009V DIST 9/PREC 112

Page 1
 Printed on 09/05/00 at 08:26 pm
 Tallied HH 09/05/00 at 07:27 pm

=====

UNITED STATES SENATOR
 REPUBLICAN

ENSIGN, JOHN	REP	66	78.6
HAMZIK, RICHARD	REP	10	11.9
PLATIN, FERNANDO JR.	REP	2	2.4
NONE OF THESE CANDIDATES		6	7.1

=====

REP IN CONGRESS DIST 2
 REPUBLICAN

GIBBONS, JIM	REP	70	88.6
TRACY, MITCHELL T.	REP	9	11.4

=====

REPUBLICAN REGISTRATION
 AND TURNOUT

REGISTRATION	268		
TURNOUT	84	31.3	

=====

SUPREME COURT SEAT G
 NONPARTISAN

BACKUS, GARY	NP	25	20.2
BECKER, NANCY A.	NP	67	54.0
WILLIAMS, DAY R.	NP	19	15.3
NONE OF THESE CANDIDATES		13	10.5

=====

STATE BOARD OF EDUCATION
 DIST 3 SUB B NONPARTISAN

COOK, DAVE	NP	63	51.2
MYERS, BARBARA J.	NP	35	28.5
TRUSTY-MURPHY, MICHEL	NP	25	20.3

=====

JUSTICE OF THE PEACE 1
 NONPARTISAN

KREIDER, BILL	NP	7	5.1
WEDDELL, RON	NP	12	8.8
WILLIS, ROBEY B.	NP	117	86.0

=====

MAYOR
 NONPARTISAN

KEETON, TOM	NP	6	4.4
MASAYKO, RAY	NP	55	40.7
TATRO, TOM	NP	58	43.0
WEAVER, NEIL A.	NP	16	11.9

=====

SUPERVISOR WARD 4
 NONPARTISAN

HORTON, VERNE R.	NP	53	41.7
SHARP, FRANK L.	NP	21	16.5
STAUB, RICHARD S.	NP	53	41.7

=====

DEMOCRAT REGISTRATION
 AND TURNOUT

REGISTRATION	173		
TURNOUT	43	24.9	

=====

NONPARTISAN REGISTRATION
 AND TURNOUT

REGISTRATION	45		
TURNOUT	10	22.2	

=====

REGISTRATION
 AND TURNOUT

REGISTRATION	486		
TURNOUT	137	28.2	

CARSON CITY PRIMARY ELECTION 2000
 SEPTEMBER 5, 2000
 Precinct 000010V DIST 10/PREC 113

Page 1
 Printed on 09/05/00 at 08:26 pm
 Talled MH 09/05/00 at 07:31 pm

=====

UNITED STATES SENATOR
 REPUBLICAN

ENSIGN, JOHN	REP	45	81.8
HAMZIK, RICHARD	REP	6	10.9
PLATIN, FERNANDO JR.	REP	1	1.8
NONE OF THESE CANDIDATES		3	5.5

=====

REP IN CONGRESS DIST 2
 REPUBLICAN

GIBBONS, JIM	REP	47	87.0
TRACY, MITCHELL T.	REP	7	13.0

=====

REPUBLICAN REGISTRATION
 AND TURNOUT

REGISTRATION	216		
TURNOUT	56	25.9	

=====

SUPREME COURT SEAT G
 NONPARTISAN

BACKUS, GARY	NP	19	18.8
BECKER, NANCY A.	NP	48	47.5
WILLIAMS, DAY R.	NP	18	17.8
NONE OF THESE CANDIDATES		16	15.8

=====

STATE BOARD OF EDUCATION
 DIST 3 SUB B NONPARTISAN

COOK, DAVE	NP	50	48.5
MYERS, BARBARA J.	NP	29	28.2
TRUSTY-MURPHY, MICHEL	NP	24	23.3

=====

JUSTICE OF THE PEACE 1
 NONPARTISAN

KREIDER, BILL	NP	13	13.3
WEDDELL, RON	NP	13	13.3
WILLIS, ROBEY B.	NP	72	73.5

=====

MAYOR
 NONPARTISAN

KEETON, TOM	NP	11	10.6
MASAYKO, RAY	NP	38	36.5
TATRO, TOM	NP	42	40.4
WEAVER, NEIL A.	NP	13	12.5

=====

SUPERVISOR WARD 4
 NONPARTISAN

HORTON, VERNE R.	NP	22	21.8
SHARP, FRANK L.	NP	24	23.8
STAUB, RICHARD S.	NP	55	54.5

=====

DEMOCRAT REGISTRATION
 AND TURNOUT

REGISTRATION	197		
TURNOUT	35	17.8	

=====

NONPARTISAN REGISTRATION
 AND TURNOUT

REGISTRATION	99		
TURNOUT	14	14.1	

=====

REGISTRATION
 AND TURNOUT

REGISTRATION	512		
TURNOUT	105	20.5	

CARSON CITY PRIMARY ELECTION 2000
 SEPTEMBER 5, 2000
 Precinct 000011V DIST 11/PREC 114/446

Page 1
 Printed on 09/05/00 at 08:26 pm
 Talled NH 09/05/00 at 08:12 pm

=====

UNITED STATES SENATOR
 REPUBLICAN

ENSIGN, JOHN	REP	167	90.8
HAMZIK, RICHARD	REP	6	3.3
PLATIN, FERNANDO JR.	REP	4	2.2
NONE OF THESE CANDIDATES		7	3.8

=====

REP IN CONGRESS DIST 2
 REPUBLICAN

GIBBONS, JIM	REP	177	95.7
TRACY, MITCHELL T.	REP	8	4.3

=====

STATE ASSEMBLY DIST 37
 REPUBLICAN

BROWER, GREG	REP	140	85.4
WRIGHT, BUDDY	REP	24	14.6

=====

REPUBLICAN REGISTRATION
 AND TURNOUT

REGISTRATION	525	
TURNOUT	186	35.4

=====

SUPREME COURT SEAT G
 NONPARTISAN

BACKUS, GARY	NP	49	17.3
BECKER, NANCY A.	NP	147	51.8
WILLIAMS, DAY R.	NP	35	12.3
NONE OF THESE CANDIDATES		53	18.7

=====

STATE BOARD OF EDUCATION
 DIST 3 SUB B NONPARTISAN

COOK, DAVE	NP	143	51.8
MYERS, BARBARA J.	NP	82	29.7
TRUSTY-MURPHY, MICHEL	NP	51	18.5

=====

JUSTICE OF THE PEACE 1
 NONPARTISAN

KREIDER, BILL	NP	36	12.3
WEDDELL, RON	NP	28	9.6
WILLIS, ROBEY B.	NP	228	78.1

=====

MAYOR
 NONPARTISAN

KEETON, TOM	NP	29	9.6
MASAYKO, RAY	NP	145	48.0
TATRO, TOM	NP	112	37.1
WEAVER, NEIL A.	NP	16	5.3

=====

SUPERVISOR WARD 4
 NONPARTISAN

HORTON, VERNE R.	NP	101	36.1
SHARP, FRANK L.	NP	68	24.3
STAUB, RICHARD S.	NP	111	39.6

=====

DEMOCRAT REGISTRATION
 AND TURNOUT

REGISTRATION	288	
TURNOUT	102	35.4

=====

NONPARTISAN REGISTRATION
 AND TURNOUT

REGISTRATION	101	
TURNOUT	22	21.8

=====

REGISTRATION
 AND TURNOUT

REGISTRATION	914	
TURNOUT	310	33.9

CARSON CITY PRIMARY ELECTION 2000
 SEPTEMBER 5, 2000
 Precinct 000012V DIST 12/PREC 220

Page 1
 Printed on 09/05/00 at 08:26 pm
 Talled HH 09/05/00 at 07:46 pm

=====

UNITED STATES SENATOR
 REPUBLICAN

ENSIGN, JOHN	REP	49	79.0
HAMZIK, RICHARD	REP	5	8.1
PLATIN, FERNANDO JR.	REP	2	3.2
NONE OF THESE CANDIDATES		6	9.7

=====

REP IN CONGRESS DIST 2
 REPUBLICAN

GIBBONS, JIM	REP	54	87.1
TRACY, MITCHELL T.	REP	8	12.9

=====

REPUBLICAN REGISTRATION
 AND TURNOUT

REGISTRATION	218		
TURNOUT	63	28.9	

=====

SUPREME COURT SEAT G
 NONPARTISAN

BACKUS, GARY	NP	16	13.9
BECKER, NANCY A.	NP	60	52.2
WILLIAMS, DAY R.	NP	24	20.9
NONE OF THESE CANDIDATES		15	13.0

=====

STATE BOARD OF EDUCATION
 DIST 3 SUB B NONPARTISAN

COOK, DAVE	NP	54	47.8
MYERS, BARBARA J.	NP	41	36.3
TRUSTY-MURPHY, MICHEL	NP	18	15.9

=====

JUSTICE OF THE PEACE 1
 NONPARTISAN

KREIDER, BILL	NP	5	4.2
WEDDELL, RON	NP	14	11.8
WILLIS, ROBEY B.	NP	100	84.0

=====

MAYOR
 NONPARTISAN

KEETON, TOM	NP	12	9.9
MASAYKO, RAY	NP	50	41.3
TATRO, TOM	NP	42	34.7
WEAVER, NEIL A.	NP	17	14.0

=====

SUPERVISOR WARD 4
 NONPARTISAN

HORTON, VERNE R.	NP	36	32.1
SHARP, FRANK L.	NP	27	24.1
STAUB, RICHARD S.	NP	49	43.8

=====

DEMOCRAT REGISTRATION
 AND TURNOUT

REGISTRATION	154		
TURNOUT	49	31.8	

=====

NONPARTISAN REGISTRATION
 AND TURNOUT

REGISTRATION	52		
TURNOUT	10	19.2	

=====

REGISTRATION
 AND TURNOUT

REGISTRATION	424		
TURNOUT	122	28.8	

CARSON CITY PRIMARY ELECTION 2000
 SEPTEMBER 5, 2000
 Precinct 000013V DIST 13/PREC 221/336

Page 1
 Printed on 09/05/00 at 08:26 pm
 Talled HH 09/05/00 at 07:37 pm

=====

UNITED STATES SENATOR
 REPUBLICAN

ENSIGN, JOHN	REP	62	89.9
HAMZIK, RICHARD	REP	2	2.9
PLATIN, FERNANDO JR.	REP	2	2.9
NONE OF THESE CANDIDATES		3	4.3

=====

REP IN CONGRESS DIST 2
 REPUBLICAN

GIBBONS, JIM	REP	59	88.1
TRACY, MITCHELL T.	REP	8	11.9

=====

REPUBLICAN REGISTRATION
 AND TURNOUT

REGISTRATION	263		
TURNOUT	69	26.2	

=====

SUPREME COURT SEAT G
 NONPARTISAN

BACKUS, GARY	NP	21	19.4
BECKER, NANCY A.	NP	44	40.7
WILLIAMS, DAY R.	NP	25	23.1
NONE OF THESE CANDIDATES		18	16.7

=====

STATE BOARD OF EDUCATION
 DIST 3 SUB B NONPARTISAN

COOK, DAVE	NP	44	44.4
MYERS, BARBARA J.	NP	34	34.3
TRUSTY-MURPHY, MICHEL	NP	21	21.2

=====

JUSTICE OF THE PEACE 1
 NONPARTISAN

KREIDER, BILL	NP	8	7.3
WEDDELL, RON	NP	13	11.8
WILLIS, ROBEY B.	NP	89	80.9

=====

MAYOR
 NONPARTISAN

KEETON, TOM	NP	11	10.0
MASAYKO, RAY	NP	49	44.5
TATRO, TOM	NP	34	30.9
WEAVER, NEIL A.	NP	16	14.5

=====

SUPERVISOR WARD 4
 NONPARTISAN

HORTON, VERNE R.	NP	21	20.8
SHARP, FRANK L.	NP	40	39.6
STAUB, RICHARD S.	NP	40	39.6

=====

DEMOCRAT REGISTRATION
 AND TURNOUT

REGISTRATION	226		
TURNOUT	31	13.7	

=====

NONPARTISAN REGISTRATION
 AND TURNOUT

REGISTRATION	104		
TURNOUT	11	10.6	

=====

REGISTRATION
 AND TURNOUT

REGISTRATION	593		
TURNOUT	111	18.7	

CARSON CITY PRIMARY ELECTION 2000
 SEPTEMBER 5, 2000
 Precinct 000014V DIST 14/PREC 222

Page 1
 Printed on 09/05/00 at 08:26 pm
 Talled HH 09/05/00 at 07:36 pm

=====

UNITED STATES SENATOR
 REPUBLICAN

ENSIGN, JOHN	REP	51	76.1
HAMZIK, RICHARD	REP	10	14.9
PLATIN, FERNANDO JR.	REP	0	0.0
NONE OF THESE CANDIDATES		6	9.0

=====

REP IN CONGRESS DIST 2
 REPUBLICAN

GIBBONS, JIM	REP	52	85.2
TRACY, MITCHELL T.	REP	9	14.8

=====

REPUBLICAN REGISTRATION
 AND TURNOUT

REGISTRATION	209	
TURNOUT	67	32.1

=====

SUPREME COURT SEAT G
 NONPARTISAN

BACKUS, GARY	NP	25	22.5
BECKER, NANCY A.	NP	48	43.2
WILLIAMS, DAY R.	NP	20	18.0
NONE OF THESE CANDIDATES		18	16.2

=====

STATE BOARD OF EDUCATION
 DIST 3 SUB B NONPARTISAN

COOK, DAVE	NP	48	44.4
MYERS, BARBARA J.	NP	32	29.6
TRUSTY-MURPHY, MICHEL	NP	28	25.9

=====

JUSTICE OF THE PEACE 1
 NONPARTISAN

KREIDER, BILL	NP	13	10.9
WEDDELL, RON	NP	17	14.3
WILLIS, ROBEY B.	NP	89	74.8

=====

MAYOR
 NONPARTISAN

KEETON, TOM	NP	13	10.8
MASAYKO, RAY	NP	54	45.0
TATRO, TOM	NP	35	29.2
WEAVER, NEIL A.	NP	18	15.0

=====

CRDS=00121 NPRO=00000 REPA=00067 CRDA=00121 DEMA=00046 NONA=00008

=====

SUPERVISOR WARD 4
 NONPARTISAN

HORTON, VERNE R.	NP	37	33.6
SHARP, FRANK L.	NP	30	27.3
STAUB, RICHARD S.	NP	43	39.1

=====

DEMOCRAT REGISTRATION
 AND TURNOUT

REGISTRATION	221	
TURNOUT	46	20.8

=====

NONPARTISAN REGISTRATION
 AND TURNOUT

REGISTRATION	48	
TURNOUT	8	16.7

=====

REGISTRATION
 AND TURNOUT

REGISTRATION	478	
TURNOUT	121	25.3

=====

CARSON CITY PRIMARY ELECTION 2000
 SEPTEMBER 5, 2000
 Precinct 000015V DIST 15/PREC 223/224

Page 1
 Printed on 09/05/00 at 08:26 pm
 Talled HH 09/05/00 at 07:44 pm

=====

UNITED STATES SENATOR
 REPUBLICAN

ENSIGN, JOHN	REP	134	78.4
HAMZIK, RICHARD	REP	21	12.3
PLATIN, FERNANDO JR.	REP	1	0.6
NONE OF THESE CANDIDATES		15	8.8

=====

REP IN CONGRESS DIST 2
 REPUBLICAN

GIBBONS, JIM	REP	149	90.3
TRACY, MITCHELL T.	REP	16	9.7

=====

REPUBLICAN REGISTRATION
 AND TURNOUT

REGISTRATION	662		
TURNOUT	173	26.1	

=====

SUPREME COURT SEAT G
 NONPARTISAN

BACKUS, GARY	NP	40	16.4
BECKER, NANCY A.	NP	132	54.1
WILLIAMS, DAY R.	NP	32	13.1
NONE OF THESE CANDIDATES		40	16.4

=====

STATE BOARD OF EDUCATION
 DIST 3 SUB B NONPARTISAN

COOK, DAVE	NP	131	53.5
MYERS, BARBARA J.	NP	80	32.7
TRUSTY-MURPHY, MICHEL	NP	34	13.9

=====

JUSTICE OF THE PEACE 1
 NONPARTISAN

KREIDER, BILL	NP	21	8.4
WEDDELL, RON	NP	28	11.2
WILLIS, ROBEY B.	NP	202	80.5

=====

MAYOR
 NONPARTISAN

KEETON, TOM	NP	38	14.2
MASAYKO, RAY	NP	92	34.3
TATRO, TOM	NP	110	41.0
WEAVER, NEIL A.	NP	28	10.4

=====

SUPERVISOR WARD 4
 NONPARTISAN

HORTON, VERNE R.	NP	47	18.7
SHARP, FRANK L.	NP	94	37.3
STAUB, RICHARD S.	NP	111	44.0

=====

DEMOCRAT REGISTRATION
 AND TURNOUT

REGISTRATION	408		
TURNOUT	80	19.6	

=====

NONPARTISAN REGISTRATION
 AND TURNOUT

REGISTRATION	148		
TURNOUT	18	12.2	

=====

REGISTRATION
 AND TURNOUT

REGISTRATION	1218		
TURNOUT	271	22.2	

CARSON CITY PRIMARY ELECTION 2000
SEPTEMBER 5, 2000
Precinct 000016V DIST 16/PREC 225/260

Page 1
Printed on 09/05/00 at 08:26 pm
Tallied HH 09/05/00 at 08:03 pm

=====

UNITED STATES SENATOR
REPUBLICAN

ENSIGN, JOHN	REP	118	82.5
HAMZIK, RICHARD	REP	14	9.8
PLATIN, FERNANDO JR.	REP	2	1.4
NONE OF THESE CANDIDATES		9	6.3

=====

REP IN CONGRESS DIST 2
REPUBLICAN

GIBBONS, JIM	REP	127	92.0
TRACY, MITCHELL T.	REP	11	8.0

=====

REPUBLICAN REGISTRATION
AND TURNOUT

REGISTRATION	470		
TURNOUT	145	30.9	

=====

SUPREME COURT SEAT G
NONPARTISAN

BACKUS, GARY	NP	36	16.3
BECKER, NANCY A.	NP	112	50.7
WILLIAMS, DAY R.	NP	45	20.4
NONE OF THESE CANDIDATES		28	12.7

=====

STATE BOARD OF EDUCATION
DIST 3 SUB B NONPARTISAN

COOK, DAVE	NP	112	50.9
MYERS, BARBARA J.	NP	63	28.6
TRUSTY-MURPHY, MICHEL	NP	45	20.5

=====

JUSTICE OF THE PEACE 1
NONPARTISAN

KREIDER, BILL	NP	25	10.8
WEDDELL, RON	NP	24	10.3
WILLIS, ROBEY B.	NP	183	78.9

=====

MAYOR
NONPARTISAN

KEETON, TOM	NP	12	5.1
MASAYKO, RAY	NP	108	45.6
TATRO, TOM	NP	87	36.7
WEAVER, NEIL A.	NP	30	12.7

=====

=====

SUPERVISOR WARD 4
NONPARTISAN

HORTON, VERNE R.	NP	73	32.2
SHARP, FRANK L.	NP	67	29.5
STAUB, RICHARD S.	NP	87	38.3

=====

DEMOCRAT REGISTRATION
AND TURNOUT

REGISTRATION	270		
TURNOUT	68	25.2	

=====

NONPARTISAN REGISTRATION
AND TURNOUT

REGISTRATION	108		
TURNOUT	25	23.1	

=====

REGISTRATION
AND TURNOUT

REGISTRATION	848		
TURNOUT	238	28.1	

=====

CARSON CITY PRIMARY ELECTION 2000
 SEPTEMBER 5, 2000
 Precinct 000017V DIST 17/PREC 226

=====

UNITED STATES SENATOR
 REPUBLICAN

ENSIGN, JOHN	REP	50	89.3
HAMZIK, RICHARD	REP	2	3.6
PLATIN, FERNANDO JR.	REP	2	3.6
NONE OF THESE CANDIDATES		2	3.6

=====

REP IN CONGRESS DIST 2
 REPUBLICAN

GIBBONS, JIM	REP	49	89.1
TRACY, MITCHELL T.	REP	6	10.9

=====

REPUBLICAN REGISTRATION
 AND TURNOUT

REGISTRATION	236		
TURNOUT	56	23.7	

=====

SUPREME COURT SEAT G
 NONPARTISAN

BACKUS, GARY	NP	17	18.9
BECKER, NANCY A.	NP	40	44.4
WILLIAMS, DAY R.	NP	13	14.4
NONE OF THESE CANDIDATES		20	22.2

=====

STATE BOARD OF EDUCATION
 DIST 3 SUB B NONPARTISAN

COOK, DAVE	NP	54	61.4
MYERS, BARBARA J.	NP	22	25.0
TRUSTY-MURPHY, MICHEL	NP	12	13.6

=====

JUSTICE OF THE PEACE 1
 NONPARTISAN

KREIDER, BILL	NP	10	11.0
WEDDELL, RON	NP	12	13.2
WILLIS, ROBEY B.	NP	69	75.8

=====

MAYOR
 NONPARTISAN

KEETON, TOM	NP	3	3.2
MASAYKO, RAY	NP	49	52.1
TATRO, TOM	NP	36	38.3
WEAVER, NEIL A.	NP	6	6.4

=====

SUPERVISOR WARD 4
 NONPARTISAN

HORTON, VERNE R.	NP	26	29.9
SHARP, FRANK L.	NP	28	32.2
STAUB, RICHARD S.	NP	33	37.9

=====

DEMOCRAT REGISTRATION
 AND TURNOUT

REGISTRATION	180		
TURNOUT	33	18.3	

=====

NONPARTISAN REGISTRATION
 AND TURNOUT

REGISTRATION	100		
TURNOUT	7	7.0	

=====

REGISTRATION
 AND TURNOUT

REGISTRATION	516		
TURNOUT	96	18.6	

CARSON CITY PRIMARY ELECTION 2000
 SEPTEMBER 5, 2000
 Precinct 000018V DIST 18/PREC 229

=====

UNITED STATES SENATOR
 REPUBLICAN

ENSIGN, JOHN	REP	64	76.2
HAMZIK, RICHARD	REP	10	11.9
PLATIN, FERNANDO JR.	REP	3	3.6
NONE OF THESE CANDIDATES		7	8.3

=====

REP IN CONGRESS DIST 2
 REPUBLICAN

GIBBONS, JIM	REP	74	92.5
TRACY, MITCHELL T.	REP	6	7.5

=====

REPUBLICAN REGISTRATION
 AND TURNOUT

REGISTRATION	295
TURNOUT	86 29.2

=====

SUPREME COURT SEAT G
 NONPARTISAN

BACKUS, GARY	NP	27	17.8
BECKER, NANCY A.	NP	54	35.5
WILLIAMS, DAY R.	NP	49	32.2
NONE OF THESE CANDIDATES		22	14.5

=====

STATE BOARD OF EDUCATION
 DIST 3 SUB B NONPARTISAN

COOK, DAVE	NP	72	47.7
MYERS, BARBARA J.	NP	59	39.1
TRUSTY-MURPHY, MICHEL	NP	20	13.2

=====

JUSTICE OF THE PEACE 1
 NONPARTISAN

KREIDER, BILL	NP	18	11.5
WEDDELL, RON	NP	21	13.4
WILLIS, ROBEY B.	NP	118	75.2

=====

MAYOR
 NONPARTISAN

KEETON, TOM	NP	15	9.3
MASAYKO, RAY	NP	60	37.0
TATRO, TOM	NP	59	36.4
WEAVER, NEIL A.	NP	28	17.3

=====

SUPERVISOR WARD 4
 NONPARTISAN

HORTON, VERNE R.	NP	36	23.8
SHARP, FRANK L.	NP	44	29.1
STAUB, RICHARD S.	NP	71	47.0

=====

DEMOCRAT REGISTRATION
 AND TURNOUT

REGISTRATION	249
TURNOUT	66 26.5

=====

NONPARTISAN REGISTRATION
 AND TURNOUT

REGISTRATION	90
TURNOUT	13 14.4

=====

REGISTRATION
 AND TURNOUT

REGISTRATION	634
TURNOUT	165 26.0

CARSON CITY PRIMARY ELECTION 2000
 SEPTEMBER 5, 2000
 Precinct 000019V DIST 19/PREC 330

Page 1
 Printed on 09/05/00 at 08:26 pm
 Talled HH 09/05/00 at 08:11 pm

=====

UNITED STATES SENATOR
 REPUBLICAN

ENSIGN, JOHN	REP	83	82.2
HAMZIK, RICHARD	REP	14	13.9
PLATIN, FERNANDO JR.	REP	0	0.0
NONE OF THESE CANDIDATES		4	4.0

=====

REP IN CONGRESS DIST 2
 REPUBLICAN

GIBBONS, JIM	REP	84	87.5
TRACY, MITCHELL T.	REP	12	12.5

=====

REPUBLICAN REGISTRATION
 AND TURNOUT

REGISTRATION	378		
TURNOUT	103	27.2	

=====

SUPREME COURT SEAT G
 NONPARTISAN

BACKUS, GARY	NP	21	13.3
BECKER, NANCY A.	NP	79	50.0
WILLIAMS, DAY R.	NP	38	24.1
NONE OF THESE CANDIDATES		20	12.7

=====

STATE BOARD OF EDUCATION
 DIST 3 SUB B NONPARTISAN

COOK, DAVE	NP	62	39.5
MYERS, BARBARA J.	NP	70	44.6
TRUSTY-MURPHY, MICHEL	NP	25	15.9

=====

JUSTICE OF THE PEACE 1
 NONPARTISAN

KREIDER, BILL	NP	23	14.2
WEDDELL, RON	NP	39	24.1
WILLIS, ROBEY B.	NP	100	61.7

=====

MAYOR
 NONPARTISAN

KEETON, TOM	NP	20	12.2
MASAYKO, RAY	NP	50	30.5
TATRO, TOM	NP	67	40.9
WEAVER, NEIL A.	NP	27	16.5

=====

SUPERVISOR WARD 4
 NONPARTISAN

HORTON, VERNE R.	NP	39	24.2
SHARP, FRANK L.	NP	50	31.1
STAUB, RICHARD S.	NP	72	44.7

=====

DEMOCRAT REGISTRATION
 AND TURNOUT

REGISTRATION	326		
TURNOUT	54	16.6	

=====

NONPARTISAN REGISTRATION
 AND TURNOUT

REGISTRATION	130		
TURNOUT	10	7.7	

=====

REGISTRATION
 AND TURNOUT

REGISTRATION	834		
TURNOUT	167	20.0	

CARSON CITY PRIMARY ELECTION 2000
 SEPTEMBER 5, 2000
 Precinct 000020V DIST 20/PREC 331/482

Page 1
 Printed on 09/05/00 at 08:26 pm
 Talled HH 09/05/00 at 07:43 pm

=====

UNITED STATES SENATOR
 REPUBLICAN

ENSIGN, JOHN	REP	43	75.4
HAMZIK, RICHARD	REP	6	10.5
PLATIN, FERNANDO JR.	REP	1	1.8
NONE OF THESE CANDIDATES		7	12.3

=====

REP IN CONGRESS DIST 2
 REPUBLICAN

GIBBONS, JIM	REP	50	92.6
TRACY, MITCHELL T.	REP	4	7.4

=====

REPUBLICAN REGISTRATION
 AND TURNOUT

REGISTRATION	237	
TURNOUT	58	24.5

=====

SUPREME COURT SEAT G
 NONPARTISAN

BACKUS, GARY	NP	17	17.2
BECKER, NANCY A.	NP	46	46.5
WILLIAMS, DAY R.	NP	21	21.2
NONE OF THESE CANDIDATES		15	15.2

=====

STATE BOARD OF EDUCATION
 DIST 3 SUB B NONPARTISAN

COOK, DAVE	NP	45	45.5
MYERS, BARBARA J.	NP	35	35.4
TRUSTY-MURPHY, MICHEL	NP	19	19.2

=====

JUSTICE OF THE PEACE 1
 NONPARTISAN

KREIDER, BILL	NP	6	6.1
WEDDELL, RON	NP	16	16.2
WILLIS, ROBEY B.	NP	77	77.8

=====

MAYOR
 NONPARTISAN

KEETON, TOM	NP	10	9.7
MASAYKO, RAY	NP	45	43.7
TATRO, TOM	NP	44	42.7
WEAVER, NEIL A.	NP	4	3.9

=====

SUPERVISOR WARD 4
 NONPARTISAN

HORTON, VERNE R.	NP	26	27.4
SHARP, FRANK L.	NP	29	30.5
STAUB, RICHARD S.	NP	40	42.1

=====

DEMOCRAT REGISTRATION
 AND TURNOUT

REGISTRATION	193	
TURNOUT	40	20.7

=====

NONPARTISAN REGISTRATION
 AND TURNOUT

REGISTRATION	61	
TURNOUT	8	13.1

=====

REGISTRATION
 AND TURNOUT

REGISTRATION	491	
TURNOUT	106	21.6

CARSON CITY PRIMARY ELECTION 2000
 SEPTEMBER 5, 2000
 Precinct 000021V DIST 21/PREC 332

=====

UNITED STATES SENATOR
 REPUBLICAN

ENSIGN, JOHN	REP	82	79.6
HAMZIK, RICHARD	REP	12	11.7
PLATIN, FERNANDO JR.	REP	2	1.9
NONE OF THESE CANDIDATES		7	6.8

=====

REP IN CONGRESS DIST 2
 REPUBLICAN

GIBBONS, JIM	REP	89	90.8
TRACY, MITCHELL T.	REP	9	9.2

=====

REPUBLICAN REGISTRATION
 AND TURNOUT

REGISTRATION	366		
TURNOUT	103	28.1	

=====

SUPREME COURT SEAT G
 NONPARTISAN

BACKUS, GARY	NP	32	20.6
BECKER, NANCY A.	NP	78	50.3
WILLIAMS, DAY R.	NP	30	19.4
NONE OF THESE CANDIDATES		15	9.7

=====

STATE BOARD OF EDUCATION
 DIST 3 SUB B NONPARTISAN

COOK, DAVE	NP	72	46.5
MYERS, BARBARA J.	NP	56	36.1
TRUSTY-MURPHY, MICHEL	NP	27	17.4

=====

JUSTICE OF THE PEACE 1
 NONPARTISAN

KREIDER, BILL	NP	20	12.2
WEDDELL, RON	NP	23	14.0
WILLIS, ROBEY B.	NP	121	73.8

=====

MAYOR
 NONPARTISAN

KEETON, TOM	NP	13	7.6
MASAYKO, RAY	NP	66	38.4
TATRO, TOM	NP	68	39.5
WEAVER, NEIL A.	NP	25	14.5

=====

SUPERVISOR WARD 4
 NONPARTISAN

HORTON, VERNE R.	NP	34	21.8
SHARP, FRANK L.	NP	41	26.3
STAUB, RICHARD S.	NP	81	51.9

=====

DEMOCRAT REGISTRATION
 AND TURNOUT

REGISTRATION	255		
TURNOUT	63	24.7	

=====

NONPARTISAN REGISTRATION
 AND TURNOUT

REGISTRATION	92		
TURNOUT	8	8.7	

=====

REGISTRATION
 AND TURNOUT

REGISTRATION	713		
TURNOUT	174	24.4	

CARSON CITY PRIMARY ELECTION 2000
 SEPTEMBER 5, 2000
 Precinct 000022V DIST 22/PREC 333

Page 1
 Printed on 09/05/00 at 08:26 pm
 Talled HH 09/05/00 at 07:42 pm

=====

UNITED STATES SENATOR
 REPUBLICAN

ENSIGN, JOHN	REP	115	89.1
HAMZIK, RICHARD	REP	5	3.9
PLATIN, FERNANDO JR.	REP	1	0.8
NONE OF THESE CANDIDATES		8	6.2

=====

REP IN CONGRESS DIST 2
 REPUBLICAN

GIBBONS, JIM	REP	119	94.4
TRACY, MITCHELL T.	REP	7	5.6

=====

REPUBLICAN REGISTRATION
 AND TURNOUT

REGISTRATION	522	
TURNOUT	134	25.7

=====

SUPREME COURT SEAT G
 NONPARTISAN

BACKUS, GARY	NP	48	22.9
BECKER, NANCY A.	NP	110	52.4
WILLIAMS, DAY R.	NP	24	11.4
NONE OF THESE CANDIDATES		28	13.3

=====

STATE BOARD OF EDUCATION
 DIST 3 SUB B NONPARTISAN

COOK, DAVE	NP	129	60.3
MYERS, BARBARA J.	NP	59	27.6
TRUSTY-MURPHY, MICHEL	NP	26	12.1

=====

JUSTICE OF THE PEACE 1
 NONPARTISAN

KREIDER, BILL	NP	14	6.3
WEDDELL, RON	NP	14	6.3
WILLIS, ROBEY B.	NP	194	87.4

=====

MAYOR
 NONPARTISAN

KEETON, TOM	NP	15	6.5
MASAYKO, RAY	NP	86	37.1
TATRO, TOM	NP	107	46.1
WEAVER, NEIL A.	NP	24	10.3

=====

SUPERVISOR WARD 4
 NONPARTISAN

HORTON, VERNE R.	NP	51	23.5
SHARP, FRANK L.	NP	62	28.6
STAUB, RICHARD S.	NP	104	47.9

=====

DEMOCRAT REGISTRATION
 AND TURNOUT

REGISTRATION	314	
TURNOUT	92	29.3

=====

NONPARTISAN REGISTRATION
 AND TURNOUT

REGISTRATION	89	
TURNOUT	12	13.5

=====

REGISTRATION
 AND TURNOUT

REGISTRATION	925	
TURNOUT	238	25.7

CARSON CITY PRIMARY ELECTION 2000
 SEPTEMBER 5, 2000
 Precinct 000023V DIST 23/PREC 334/337/481

=====

UNITED STATES SENATOR
 REPUBLICAN

ENSIGN, JOHN	REP	152	87.4
HAMZIK, RICHARD	REP	11	6.3
PLATIN, FERNANDO JR.	REP	0	0.0
NONE OF THESE CANDIDATES		11	6.3

=====

REP IN CONGRESS DIST 2
 REPUBLICAN

GIBBONS, JIM	REP	150	89.3
TRACY, MITCHELL T.	REP	18	10.7

=====

REPUBLICAN REGISTRATION
 AND TURNOUT

REGISTRATION	576		
TURNOUT	174	30.2	

=====

SUPREME COURT SEAT G
 NONPARTISAN

BACKUS, GARY	NP	45	18.3
BECKER, NANCY A.	NP	118	48.0
WILLIAMS, DAY R.	NP	38	15.4
NONE OF THESE CANDIDATES		45	18.3

=====

STATE BOARD OF EDUCATION
 DIST 3 SUB B NONPARTISAN

COOK, DAVE	NP	127	52.3
MYERS, BARBARA J.	NP	70	28.8
TRUSTY-MURPHY, MICHEL	NP	46	18.9

=====

JUSTICE OF THE PEACE 1
 NONPARTISAN

KREIDER, BILL	NP	14	5.3
WEDDELL, RON	NP	29	11.0
WILLIS, ROBEY B.	NP	221	83.7

=====

MAYOR
 NONPARTISAN

KEETON, TOM	NP	15	5.6
MASAYKO, RAY	NP	111	41.4
TATRO, TOM	NP	101	37.7
WEAVER, NEIL A.	NP	41	15.3

=====

=====

SUPERVISOR WARD 4
 NONPARTISAN

HORTON, VERNE R.	NP	80	32.0
SHARP, FRANK L.	NP	71	28.4
STAUB, RICHARD S.	NP	99	39.6

=====

DEMOCRAT REGISTRATION
 AND TURNOUT

REGISTRATION	283		
TURNOUT	85	30.0	

=====

NONPARTISAN REGISTRATION
 AND TURNOUT

REGISTRATION	107		
TURNOUT	15	14.0	

=====

REGISTRATION
 AND TURNOUT

REGISTRATION	966		
TURNOUT	274	28.4	

=====

CARSON CITY PRIMARY ELECTION 2000
 SEPTEMBER 5, 2000
 Precinct 000024V DIST 24/PREC 335

=====			
UNITED STATES SENATOR			
REPUBLICAN			
ENSIGN, JOHN	REP	41	87.2
HAMZIK, RICHARD	REP	2	4.3
PLATIN, FERNANDO JR.	REP	1	2.1
NONE OF THESE CANDIDATES		3	6.4
=====			
REP IN CONGRESS DIST 2			
REPUBLICAN			
GIBBONS, JIM	REP	39	88.6
TRACY, MITCHELL T.	REP	5	11.4
=====			
REPUBLICAN REGISTRATION			
AND TURNOUT			
REGISTRATION		155	
TURNOUT		47	30.3
=====			
SUPREME COURT SEAT G			
NONPARTISAN			
BACKUS, GARY	NP	18	23.4
BECKER, NANCY A.	NP	38	49.4
WILLIAMS, DAY R.	NP	13	16.9
NONE OF THESE CANDIDATES		8	10.4
=====			
STATE BOARD OF EDUCATION			
DIST 3 SUB B NONPARTISAN			
COOK, DAVE	NP	36	48.6
MYERS, BARBARA J.	NP	25	33.8
TRUSTY-MURPHY, MICHEL	NP	13	17.6
=====			
JUSTICE OF THE PEACE 1			
NONPARTISAN			
KREIDER, BILL	NP	5	6.8
WEDDELL, RON	NP	12	16.4
WILLIS, ROBEY B.	NP	56	76.7
=====			
MAYOR			
NONPARTISAN			
KEETON, TOM	NP	5	6.4
MASAYKO, RAY	NP	38	48.7
TATRO, TOM	NP	21	26.9
WEAVER, NEIL A.	NP	14	17.9
=====			

=====			
SUPERVISOR WARD 4			
NONPARTISAN			
HORTON, VERNE R.	NP	11	14.7
SHARP, FRANK L.	NP	26	34.7
STAUB, RICHARD S.	NP	38	50.7
=====			
DEMOCRAT REGISTRATION			
AND TURNOUT			
REGISTRATION		143	
TURNOUT		25	17.5
=====			
NONPARTISAN REGISTRATION			
AND TURNOUT			
REGISTRATION		56	
TURNOUT		7	12.5
=====			
REGISTRATION			
AND TURNOUT			
REGISTRATION		354	
TURNOUT		79	22.3
=====			

CARSON CITY PRIMARY ELECTION 2000
 SEPTEMBER 5, 2000
 Precinct 000025V DIST 25/PREC 338

Page 1
 Printed on 09/05/00 at 08:26 pm
 Talled HH 09/05/00 at 07:47 pm

=====

UNITED STATES SENATOR
 REPUBLICAN

ENSIGN, JOHN	REP	104	86.7
HAMZIK, RICHARD	REP	8	6.7
PLATIN, FERNANDO JR.	REP	1	0.8
NONE OF THESE CANDIDATES		7	5.8

=====

REP IN CONGRESS DIST 2
 REPUBLICAN

GIBBONS, JIM	REP	113	91.9
TRACY, MITCHELL T.	REP	10	8.1

=====

REPUBLICAN REGISTRATION
 AND TURNOUT

REGISTRATION	496		
TURNOUT	125	25.2	

=====

SUPREME COURT SEAT G
 NONPARTISAN

BACKUS, GARY	NP	28	14.0
BECKER, NANCY A.	NP	112	56.0
WILLIAMS, DAY R.	NP	30	15.0
NONE OF THESE CANDIDATES		30	15.0

=====

STATE BOARD OF EDUCATION
 DIST 3 SUB B NONPARTISAN

COOK, DAVE	NP	103	52.6
MYERS, BARBARA J.	NP	59	30.1
TRUSTY-MURPHY, MICHEL	NP	34	17.3

=====

JUSTICE OF THE PEACE 1
 NONPARTISAN

KREIDER, BILL	NP	25	11.8
WEDDELL, RON	NP	24	11.3
WILLIS, ROBEY B.	NP	163	76.9

=====

MAYOR
 NONPARTISAN

KEETON, TOM	NP	15	6.8
MASAYKO, RAY	NP	93	42.3
TATRO, TOM	NP	91	41.4
WEAVER, NEIL A.	NP	21	9.5

=====

=====

SUPERVISOR WARD 4
 NONPARTISAN

HORTON, VERNE R.	NP	53	26.9
SHARP, FRANK L.	NP	48	24.4
STAUB, RICHARD S.	NP	96	48.7

=====

DEMOCRAT REGISTRATION
 AND TURNOUT

REGISTRATION	274		
TURNOUT	75	27.4	

=====

NONPARTISAN REGISTRATION
 AND TURNOUT

REGISTRATION	126		
TURNOUT	21	16.7	

=====

REGISTRATION
 AND TURNOUT

REGISTRATION	896		
TURNOUT	221	24.7	

=====

CARSON CITY PRIMARY ELECTION 2000
 SEPTEMBER 5, 2000
 Precinct 000026V DIST 26/PREC 339

=====

UNITED STATES SENATOR
 REPUBLICAN

ENSIGN, JOHN	REP	111	86.0
HAMZIK, RICHARD	REP	9	7.0
PLATIN, FERNANDO JR.	REP	1	0.8
NONE OF THESE CANDIDATES		8	6.2

REP IN CONGRESS DIST 2
 REPUBLICAN

GIBBONS, JIM	REP	124	98.4
TRACY, MITCHELL T.	REP	2	1.6

REPUBLICAN REGISTRATION
 AND TURNOUT

REGISTRATION	436		
TURNOUT	130	29.8	

SUPREME COURT SEAT G
 NONPARTISAN

BACKUS, GARY	NP	31	13.8
BECKER, NANCY A.	NP	127	56.7
WILLIAMS, DAY R.	NP	35	15.6
NONE OF THESE CANDIDATES		31	13.8

STATE BOARD OF EDUCATION
 DIST 3 SUB B NONPARTISAN

COOK, DAVE	NP	116	51.8
MYERS, BARBARA J.	NP	61	27.2
TRUSTY-MURPHY, MICHELNP		47	21.0

JUSTICE OF THE PEACE 1
 NONPARTISAN

KREIDER, BILL	NP	22	9.5
WEDDELL, RON	NP	15	6.5
WILLIS, ROBEY B.	NP	194	84.0

MAYOR
 NONPARTISAN

KEETON, TOM	NP	16	6.7
MASAYKO, RAY	NP	88	36.8
TATRO, TOM	NP	111	46.4
WEAVER, NEIL A.	NP	24	10.0

=====

SUPERVISOR WARD 4
 NONPARTISAN

HORTON, VERNE R.	NP	62	28.2
SHARP, FRANK L.	NP	52	23.6
STAUB, RICHARD S.	NP	106	48.2

DEMOCRAT REGISTRATION
 AND TURNOUT

REGISTRATION	301		
TURNOUT	94	31.2	

NONPARTISAN REGISTRATION
 AND TURNOUT

REGISTRATION	86		
TURNOUT	17	19.8	

REGISTRATION
 AND TURNOUT

REGISTRATION	823		
TURNOUT	241	29.3	

CARSON CITY PRIMARY ELECTION 2000
 SEPTEMBER 5, 2000
 Precinct 000027V DIST 27/PREC 440

=====

UNITED STATES SENATOR
 REPUBLICAN

ENSIGN, JOHN	REP	72	84.7
HAMZIK, RICHARD	REP	5	5.9
PLATIN, FERNANDO JR.	REP	0	0.0
NONE OF THESE CANDIDATES		8	9.4

=====

REP IN CONGRESS DIST 2
 REPUBLICAN

GIBBONS, JIM	REP	74	93.7
TRACY, MITCHELL T.	REP	5	6.3

=====

REPUBLICAN REGISTRATION
 AND TURNOUT

REGISTRATION	285	
TURNOUT	85	29.8

=====

SUPREME COURT SEAT G
 NONPARTISAN

BACKUS, GARY	NP	16	10.7
BECKER, NANCY A.	NP	77	51.7
WILLIAMS, DAY R.	NP	30	20.1
NONE OF THESE CANDIDATES		26	17.4

=====

STATE BOARD OF EDUCATION
 DIST 3 SUB B NONPARTISAN

COOK, DAVE	NP	79	52.7
MYERS, BARBARA J.	NP	47	31.3
TRUSTY-MURPHY, MICHEL	NP	24	16.0

=====

JUSTICE OF THE PEACE 1
 NONPARTISAN

KREIDER, BILL	NP	10	6.3
WEDDELL, RON	NP	11	6.9
WILLIS, ROBEY B.	NP	138	86.8

=====

MAYOR
 NONPARTISAN

KEETON, TOM	NP	16	9.8
MASAYKO, RAY	NP	74	45.4
TATRO, TOM	NP	59	36.2
WEAVER, NEIL A.	NP	14	8.6

=====

=====

SUPERVISOR WARD 4
 NONPARTISAN

HORTON, VERNE R.	NP	49	31.2
SHARP, FRANK L.	NP	41	26.1
STAUB, RICHARD S.	NP	67	42.7

=====

DEMOCRAT REGISTRATION
 AND TURNOUT

REGISTRATION	229	
TURNOUT	72	31.4

=====

NONPARTISAN REGISTRATION
 AND TURNOUT

REGISTRATION	55	
TURNOUT	7	12.7

=====

REGISTRATION
 AND TURNOUT

REGISTRATION	569	
TURNOUT	164	28.8

=====

CARSON CITY PRIMARY ELECTION 2000
 SEPTEMBER 5, 2000
 Precinct 000028V DIST 28/PREC 444

=====

UNITED STATES SENATOR
 REPUBLICAN

ENSIGN, JOHN	REP	63	87.5
HAMZIK, RICHARD	REP	5	6.9
PLATIN, FERNANDO JR.	REP	0	0.0
NONE OF THESE CANDIDATES		4	5.6

=====

REP IN CONGRESS DIST 2
 REPUBLICAN

GIBBONS, JIM	REP	68	95.8
TRACY, MITCHELL T.	REP	3	4.2

=====

REPUBLICAN REGISTRATION
 AND TURNOUT

REGISTRATION	240		
TURNOUT	73	30.4	

=====

SUPREME COURT SEAT G
 NONPARTISAN

BACKUS, GARY	NP	15	12.1
BECKER, NANCY A.	NP	69	55.6
WILLIAMS, DAY R.	NP	24	19.4
NONE OF THESE CANDIDATES		16	12.9

=====

STATE BOARD OF EDUCATION
 DIST 3 SUB B NONPARTISAN

COOK, DAVE	NP	52	43.0
MYERS, BARBARA J.	NP	49	40.5
TRUSTY-MURPHY, MICHEL	NP	20	16.5

=====

JUSTICE OF THE PEACE 1
 NONPARTISAN

KREIDER, BILL	NP	9	7.1
WEDDELL, RON	NP	12	9.4
WILLIS, ROBEY B.	NP	106	83.5

=====

MAYOR
 NONPARTISAN

KEETON, TOM	NP	11	8.4
MASAYKO, RAY	NP	54	41.2
TATRO, TOM	NP	49	37.4
WEAVER, NEIL A.	NP	17	13.0

=====

SUPERVISOR WARD 4
 NONPARTISAN

HORTON, VERNE R.	NP	30	23.6
SHARP, FRANK L.	NP	40	31.5
STAUB, RICHARD S.	NP	57	44.9

=====

DEMOCRAT REGISTRATION
 AND TURNOUT

REGISTRATION	181		
TURNOUT	49	27.1	

=====

NONPARTISAN REGISTRATION
 AND TURNOUT

REGISTRATION	69		
TURNOUT	9	13.0	

=====

REGISTRATION
 AND TURNOUT

REGISTRATION	490		
TURNOUT	131	26.7	

CARSON CITY PRIMARY ELECTION 2000
 SEPTEMBER 5, 2000
 Precinct 000029V DIST 29/PREC 445

=====

UNITED STATES SENATOR
 REPUBLICAN

ENSIGN, JOHN	REP	49	81.7
HAMZIK, RICHARD	REP	7	11.7
PLATIN, FERNANDO JR.	REP	0	0.0
NONE OF THESE CANDIDATES		4	6.7

REP IN CONGRESS DIST 2
 REPUBLICAN

GIBBONS, JIM	REP	53	91.4
TRACY, MITCHELL T.	REP	5	8.6

REPUBLICAN REGISTRATION
 AND TURNOUT

REGISTRATION	191	
TURNOUT	60	31.4

SUPREME COURT SEAT G
 NONPARTISAN

BACKUS, GARY	NP	21	18.6
BECKER, NANCY A.	NP	57	50.4
WILLIAMS, DAY R.	NP	19	16.8
NONE OF THESE CANDIDATES		16	14.2

STATE BOARD OF EDUCATION
 DIST 3 SUB B NONPARTISAN

COOK, DAVE	NP	40	36.7
MYERS, BARBARA J.	NP	44	40.4
TRUSTY-MURPHY, MICHEL	NP	25	22.9

JUSTICE OF THE PEACE 1
 NONPARTISAN

KREIDER, BILL	NP	10	8.5
WEDDELL, RON	NP	11	9.3
WILLIS, ROBEY B.	NP	97	82.2

MAYOR
 NONPARTISAN

KEETON, TOM	NP	4	3.3
MASAYKO, RAY	NP	61	50.4
TATRO, TOM	NP	39	32.2
WEAVER, NEIL A.	NP	17	14.0

=====

SUPERVISOR WARD 4
 NONPARTISAN

HORTON, VERNE R.	NP	20	17.5
SHARP, FRANK L.	NP	32	28.1
STAUB, RICHARD S.	NP	62	54.4

DEMOCRAT REGISTRATION
 AND TURNOUT

REGISTRATION	176	
TURNOUT	51	29.0

NONPARTISAN REGISTRATION
 AND TURNOUT

REGISTRATION	60	
TURNOUT	10	16.7

REGISTRATION
 AND TURNOUT

REGISTRATION	427	
TURNOUT	121	28.3

CARSON CITY PRIMARY ELECTION 2000
 SEPTEMBER 5, 2000
 Precinct 000030V DIST 30/PREC 448

=====

UNITED STATES SENATOR
 REPUBLICAN

ENSIGN, JOHN	REP	74	77.1
HAMZIK, RICHARD	REP	13	13.5
PLATIN, FERNANDO JR.	REP	3	3.1
NONE OF THESE CANDIDATES		6	6.3

=====

REP IN CONGRESS DIST 2
 REPUBLICAN

GIBBONS, JIM	REP	84	90.3
TRACY, MITCHELL T.	REP	9	9.7

=====

REPUBLICAN REGISTRATION
 AND TURNOUT

REGISTRATION	315		
TURNOUT	96	30.5	

=====

SUPREME COURT SEAT G
 NONPARTISAN

BACKUS, GARY	NP	26	14.6
BECKER, NANCY A.	NP	95	53.4
WILLIAMS, DAY R.	NP	33	18.5
NONE OF THESE CANDIDATES		24	13.5

=====

STATE BOARD OF EDUCATION
 DIST 3 SUB B NONPARTISAN

COOK, DAVE	NP	79	45.7
MYERS, BARBARA J.	NP	59	34.1
TRUSTY-MURPHY, MICHEL	NP	35	20.2

=====

JUSTICE OF THE PEACE 1
 NONPARTISAN

KREIDER, BILL	NP	14	7.9
WEDDELL, RON	NP	24	13.6
WILLIS, ROBEY B.	NP	139	78.5

=====

MAYOR
 NONPARTISAN

KEETON, TOM	NP	16	8.7
MASAYKO, RAY	NP	66	35.9
TATRO, TOM	NP	84	45.7
WEAVER, NEIL A.	NP	18	9.8

=====

SUPERVISOR WARD 4
 NONPARTISAN

HORTON, VERNE R.	NP	35	19.3
SHARP, FRANK L.	NP	51	28.2
STAUB, RICHARD S.	NP	95	52.5

=====

DEMOCRAT REGISTRATION
 AND TURNOUT

REGISTRATION	313		
TURNOUT	76	24.3	

=====

NONPARTISAN REGISTRATION
 AND TURNOUT

REGISTRATION	102		
TURNOUT	15	14.7	

=====

REGISTRATION
 AND TURNOUT

REGISTRATION	730		
TURNOUT	187	25.6	

CARSON CITY PRIMARY ELECTION 2000
 SEPTEMBER 5, 2000
 Precinct 000031V DIST 31/PREC 447/449

=====

UNITED STATES SENATOR
 REPUBLICAN

ENSIGN, JOHN	REP	111	79.3
HAMZIK, RICHARD	REP	16	11.4
PLATIN, FERNANDO JR.	REP	1	0.7
NONE OF THESE CANDIDATES		12	8.6

=====

REP IN CONGRESS DIST 2
 REPUBLICAN

GIBBONS, JIM	REP	122	90.4
TRACY, MITCHELL T.	REP	13	9.6

=====

REPUBLICAN REGISTRATION
 AND TURNOUT

REGISTRATION	465		
TURNOUT	141	30.3	

=====

SUPREME COURT SEAT G
 NONPARTISAN

BACKUS, GARY	NP	40	18.0
BECKER, NANCY A.	NP	122	55.0
WILLIAMS, DAY R.	NP	24	10.8
NONE OF THESE CANDIDATES		36	16.2

=====

STATE BOARD OF EDUCATION
 DIST 3 SUB B NONPARTISAN

COOK, DAVE	NP	98	45.0
MYERS, BARBARA J.	NP	83	38.1
TRUSTY-MURPHY, MICHEL	NP	37	17.0

=====

JUSTICE OF THE PEACE 1
 NONPARTISAN

KREIDER, BILL	NP	21	9.3
WEDDELL, RON	NP	28	12.4
WILLIS, ROBEY B.	NP	177	78.3

=====

MAYOR
 NONPARTISAN

KEETON, TOM	NP	20	8.5
MASAYKO, RAY	NP	98	41.9
TATRO, TOM	NP	83	35.5
WEAVER, NEIL A.	NP	33	14.1

=====

SUPERVISOR WARD 4
 NONPARTISAN

HORTON, VERNE R.	NP	61	28.4
SHARP, FRANK L.	NP	69	32.1
STAUB, RICHARD S.	NP	85	39.5

=====

DEMOCRAT REGISTRATION
 AND TURNOUT

REGISTRATION	307		
TURNOUT	82	26.7	

=====

NONPARTISAN REGISTRATION
 AND TURNOUT

REGISTRATION	129		
TURNOUT	14	10.9	

=====

REGISTRATION
 AND TURNOUT

REGISTRATION	901		
TURNOUT	237	26.3	

=====

CARSON CITY PRIMARY ELECTION 2000
 SEPTEMBER 5, 2000
 Precinct 000537A EARLY VOTING

Page 1
 Printed on 09/05/00 at 08:26 pm
 Talled HH 09/05/00 at 05:44 pm

=====

UNITED STATES SENATOR
 REPUBLICAN

ENSIGN, JOHN	REP	441	90.7
HAMZIK, RICHARD	REP	23	4.7
PLATIN, FERNANDO JR.	REP	4	0.8
NONE OF THESE CANDIDATES		18	3.7

=====

REP IN CONGRESS DIST 2
 REPUBLICAN

GIBBONS, JIM	REP	448	94.1
TRACY, MITCHELL T.	REP	28	5.9

=====

STATE ASSEMBLY DIST 37
 REPUBLICAN

BROWER, GREG	REP	400	91.1
WRIGHT, BUDDY	REP	39	8.9

=====

REPUBLICAN REGISTRATION
 AND TURNOUT

REGISTRATION TURNOUT		494	0.0
-------------------------	--	-----	-----

=====

SUPREME COURT SEAT G
 NONPARTISAN

BACKUS, GARY	NP	130	18.8
BECKER, NANCY A.	NP	411	59.5
WILLIAMS, DAY R.	NP	75	10.9
NONE OF THESE CANDIDATES		75	10.9

=====

STATE BOARD OF EDUCATION
 DIST 3 SUB B NONPARTISAN

COOK, DAVE	NP	385	54.5
MYERS, BARBARA J.	NP	205	29.0
TRUSTY-MURPHY, MICHEL	NP	117	16.5

=====

JUSTICE OF THE PEACE 1
 NONPARTISAN

KREIDER, BILL	NP	47	6.4
WEDDELL, RON	NP	57	7.8
WILLIS, ROBEY B.	NP	625	85.7

=====

=====

MAYOR
 NONPARTISAN

KEETON, TOM	NP	69	9.1
MASAYKO, RAY	NP	352	46.3
TATRO, TOM	NP	273	35.9
WEAVER, NEIL A.	NP	67	8.8

=====

SUPERVISOR WARD 4
 NONPARTISAN

HORTON, VERNE R.	NP	289	40.5
SHARP, FRANK L.	NP	151	21.2
STAUB, RICHARD S.	NP	273	38.3

=====

DEMOCRAT REGISTRATION
 AND TURNOUT

REGISTRATION TURNOUT		219	0.0
-------------------------	--	-----	-----

=====

NONPARTISAN REGISTRATION
 AND TURNOUT

REGISTRATION TURNOUT		54	0.0
-------------------------	--	----	-----

=====

REGISTRATION
 AND TURNOUT

REGISTRATION TURNOUT		767	0.0
-------------------------	--	-----	-----

=====

CARSON CITY PRIMARY ELECTION 2000
 SEPTEMBER 5, 2000
 Precinct 000538A EARLY VOTING

=====

UNITED STATES SENATOR
 REPUBLICAN

ENSIGN, JOHN	REP	177	87.2
HAMZIK, RICHARD	REP	12	5.9
PLATIN, FERNANDO JR.	REP	3	1.5
NONE OF THESE CANDIDATES		11	5.4

=====

REP IN CONGRESS DIST 2
 REPUBLICAN

GIBBONS, JIM	REP	169	88.5
TRACY, MITCHELL T.	REP	22	11.5

=====

REPUBLICAN REGISTRATION
 AND TURNOUT

REGISTRATION			
TURNOUT		206	0.0

=====

SUPREME COURT SEAT G
 NONPARTISAN

BACKUS, GARY	NP	59	15.9
BECKER, NANCY A.	NP	194	52.2
WILLIAMS, DAY R.	NP	70	18.8
NONE OF THESE CANDIDATES		49	13.2

=====

STATE BOARD OF EDUCATION
 DIST 3 SUB B NONPARTISAN

COOK, DAVE	NP	184	50.1
MYERS, BARBARA J.	NP	118	32.2
TRUSTY-MURPHY, MICHEL	NP	65	17.7

=====

JUSTICE OF THE PEACE 1
 NONPARTISAN

KREIDER, BILL	NP	45	12.1
WEDDELL, RON	NP	42	11.3
WILLIS, ROBEY B.	NP	286	76.7

=====

MAYOR
 NONPARTISAN

KEETON, TOM	NP	44	11.4
MASAYKO, RAY	NP	153	39.7
TATRO, TOM	NP	141	36.6
WEAVER, NEIL A.	NP	47	12.2

=====

=====

SUPERVISOR WARD 4
 NONPARTISAN

HORTON, VERNE R.	NP	120	32.2
SHARP, FRANK L.	NP	114	30.6
STAUB, RICHARD S.	NP	139	37.3

=====

DEMOCRAT REGISTRATION
 AND TURNOUT

REGISTRATION			
TURNOUT		155	0.0

=====

NONPARTISAN REGISTRATION
 AND TURNOUT

REGISTRATION			
TURNOUT		29	0.0

=====

REGISTRATION
 AND TURNOUT

REGISTRATION			
TURNOUT		390	0.0

=====

CARSON CITY PRIMARY ELECTION 2000
 SEPTEMBER 5, 2000
 Precinct 000539A EARLY VOTING

=====

UNITED STATES SENATOR
 REPUBLICAN

ENSIGN, JOHN	REP	106	83.5
HAMZIK, RICHARD	REP	10	7.9
PLATIN, FERNANDO JR.	REP	1	0.8
NONE OF THESE CANDIDATES		10	7.9

=====

REP IN CONGRESS DIST 2
 REPUBLICAN

GIBBONS, JIM	REP	103	85.8
TRACY, MITCHELL T.	REP	17	14.2

=====

REPUBLICAN REGISTRATION
 AND TURNOUT

REGISTRATION TURNOUT		128	0.0
-------------------------	--	-----	-----

=====

SUPREME COURT SEAT G
 NONPARTISAN

BACKUS, GARY	NP	28	13.6
BECKER, NANCY A.	NP	123	59.7
WILLIAMS, DAY R.	NP	35	17.0
NONE OF THESE CANDIDATES		20	9.7

=====

STATE BOARD OF EDUCATION
 DIST 3 SUB B NONPARTISAN

COOK, DAVE	NP	112	56.6
MYERS, BARBARA J.	NP	43	21.7
TRUSTY-MURPHY, MICHEL	NP	43	21.7

=====

JUSTICE OF THE PEACE 1
 NONPARTISAN

KREIDER, BILL	NP	19	8.8
WEDDELL, RON	NP	24	11.2
WILLIS, ROBEY B.	NP	172	80.0

=====

MAYOR
 NONPARTISAN

KEETON, TOM	NP	24	11.2
MASAYKO, RAY	NP	86	40.0
TATRO, TOM	NP	79	36.7
WEAVER, NEIL A.	NP	26	12.1

=====

=====

SUPERVISOR WARD 4
 NONPARTISAN

HORTON, VERNE R.	NP	73	34.3
SHARP, FRANK L.	NP	53	24.9
STAUB, RICHARD S.	NP	87	40.8

=====

DEMOCRAT REGISTRATION
 AND TURNOUT

REGISTRATION TURNOUT		68	0.0
-------------------------	--	----	-----

=====

NONPARTISAN REGISTRATION
 AND TURNOUT

REGISTRATION TURNOUT		22	0.0
-------------------------	--	----	-----

=====

REGISTRATION
 AND TURNOUT

REGISTRATION TURNOUT		218	0.0
-------------------------	--	-----	-----

=====

CARSON CITY PRIMARY ELECTION 2000
 SEPTEMBER 5, 2000
 Precinct 000540A EARLY VOTING

=====

UNITED STATES SENATOR
 REPUBLICAN

ENSIGN, JOHN	REP	1097	87.1
HAMZIK, RICHARD	REP	80	6.4
PLATIN, FERNANDO JR.	REP	13	1.0
NONE OF THESE CANDIDATES		69	5.5

=====

REP IN CONGRESS DIST 2
 REPUBLICAN

GIBBONS, JIM	REP	1138	93.3
TRACY, MITCHELL T.	REP	82	6.7

=====

REPUBLICAN REGISTRATION
 AND TURNOUT

REGISTRATION			
TURNOUT		1273	0.0

=====

SUPREME COURT SEAT G
 NONPARTISAN

BACKUS, GARY	NP	324	15.3
BECKER, NANCY A.	NP	1182	56.0
WILLIAMS, DAY R.	NP	333	15.8
NONE OF THESE CANDIDATES		273	12.9

=====

STATE BOARD OF EDUCATION
 DIST 3 SUB B NONPARTISAN

COOK, DAVE	NP	1006	48.8
MYERS, BARBARA J.	NP	670	32.5
TRUSTY-MURPHY, MICHELNP		385	18.7

=====

JUSTICE OF THE PEACE 1
 NONPARTISAN

KREIDER, BILL	NP	181	8.5
WEDDELL, RON	NP	208	9.7
WILLIS, ROBEY B.	NP	1749	81.8

=====

MAYOR
 NONPARTISAN

KEETON, TOM	NP	224	10.2
MASAYKO, RAY	NP	927	42.1
TATRO, TOM	NP	828	37.6
WEAVER, NEIL A.	NP	225	10.2

=====

SUPERVISOR WARD 4
 NONPARTISAN

HORTON, VERNE R.	NP	620	29.6
SHARP, FRANK L.	NP	602	28.7
STAUB, RICHARD S.	NP	873	41.7

=====

DEMOCRAT REGISTRATION
 AND TURNOUT

REGISTRATION			
TURNOUT		804	0.0

=====

NONPARTISAN REGISTRATION
 AND TURNOUT

REGISTRATION			
TURNOUT		166	0.0

=====

REGISTRATION
 AND TURNOUT

REGISTRATION			
TURNOUT		2243	0.0

CARSON CITY PRIMARY ELECTION 2000
 SEPTEMBER 5, 2000
 Precinct 000637A ABSENTEE

Page 1
 Printed on 09/05/00 at 08:26 pm
 Tallied HH 09/05/00 at 06:07 pm

=====

UNITED STATES SENATOR
 REPUBLICAN

ENSIGN, JOHN	REP	29	90.6
HAMZIK, RICHARD	REP	0	0.0
PLATIN, FERNANDO JR.	REP	1	3.1
NONE OF THESE CANDIDATES		2	6.3

=====

REP IN CONGRESS DIST 2
 REPUBLICAN

GIBBONS, JIM	REP	30	96.8
TRACY, MITCHELL T.	REP	1	3.2

=====

STATE ASSEMBLY DIST 37
 REPUBLICAN

BROWER, GREG	REP	19	79.2
WRIGHT, BUDDY	REP	5	20.8

=====

REPUBLICAN REGISTRATION
 AND TURNOUT

REGISTRATION			
TURNOUT		33	0.0

=====

SUPREME COURT SEAT G
 NONPARTISAN

BACKUS, GARY	NP	10	35.7
BECKER, NANCY A.	NP	12	42.9
WILLIAMS, DAY R.	NP	4	14.3
NONE OF THESE CANDIDATES		2	7.1

=====

STATE BOARD OF EDUCATION
 DIST 3 SUB B NONPARTISAN

COOK, DAVE	NP	15	60.0
MYERS, BARBARA J.	NP	7	28.0
TRUSTY-MURPHY, MICHEL	NP	3	12.0

=====

JUSTICE OF THE PEACE 1
 NONPARTISAN

KREIDER, BILL	NP	2	7.1
WEDDELL, RON	NP	7	25.0
WILLIS, ROBEBY B.	NP	19	67.9

=====

=====

MAYOR
 NONPARTISAN

KEETON, TOM	NP	0	0.0
MASAYKO, RAY	NP	15	55.6
TATRO, TOM	NP	6	22.2
WEAVER, NEIL A.	NP	6	22.2

=====

SUPERVISOR WARD 4
 NONPARTISAN

HORTON, VERNE R.	NP	15	55.6
SHARP, FRANK L.	NP	4	14.8
STAUB, RICHARD S.	NP	8	29.6

=====

DEMOCRAT REGISTRATION
 AND TURNOUT

REGISTRATION			
TURNOUT			0.0

=====

NONPARTISAN REGISTRATION
 AND TURNOUT

REGISTRATION			
TURNOUT			0.0

=====

REGISTRATION
 AND TURNOUT

REGISTRATION			
TURNOUT		33	0.0

=====

CARSON CITY PRIMARY ELECTION 2000
 SEPTEMBER 5, 2000
 Precinct 000640A ABSENTEE

Page 1
 Printed on 09/05/00 at 08:26 pm
 Tallied HH 09/05/00 at 06:08 pm

=====

UNITED STATES SENATOR
 REPUBLICAN

ENSIGN, JOHN	REP	94	90.4
HAMZIK, RICHARD	REP	5	4.8
PLATIN, FERNANDO JR.	REP	1	1.0
NONE OF THESE CANDIDATES		4	3.8

=====

REP IN CONGRESS DIST 2
 REPUBLICAN

GIBBONS, JIM	REP	96	97.0
TRACY, MITCHELL T.	REP	3	3.0

=====

REPUBLICAN REGISTRATION
 AND TURNOUT

REGISTRATION			
TURNOUT		107	0.0

=====

SUPREME COURT SEAT G
 NONPARTISAN

BACKUS, GARY	NP	30	21.4
BECKER, NANCY A.	NP	66	47.1
WILLIAMS, DAY R.	NP	24	17.1
NONE OF THESE CANDIDATES		20	14.3

=====

STATE BOARD OF EDUCATION
 DIST 3 SUB B NONPARTISAN

COOK, DAVE	NP	81	60.9
MYERS, BARBARA J.	NP	38	28.6
TRUSTY-MURPHY, MICHELNP		14	10.5

=====

JUSTICE OF THE PEACE 1
 NONPARTISAN

KREIDER, BILL	NP	20	13.7
WEDDELL, RON	NP	14	9.6
WILLIS, ROBEY B.	NP	112	76.7

=====

MAYOR
 NONPARTISAN

KEETON, TOM	NP	21	13.7
MASAYKO, RAY	NP	64	41.8
TATRO, TOM	NP	50	32.7
WEAVER, NEIL A.	NP	18	11.8

=====

SUPERVISOR WARD 4
 NONPARTISAN

HORTON, VERNE R.	NP	38	27.9
SHARP, FRANK L.	NP	40	29.4
STAUB, RICHARD S.	NP	58	42.6

=====

DEMOCRAT REGISTRATION
 AND TURNOUT

REGISTRATION			
TURNOUT		55	0.0

=====

NONPARTISAN REGISTRATION
 AND TURNOUT

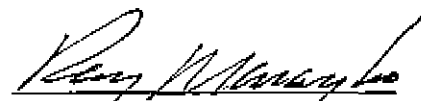
REGISTRATION			
TURNOUT			0.0

=====

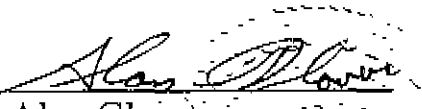
REGISTRATION
 AND TURNOUT

REGISTRATION			
TURNOUT		162	0.0

RESULTS CERTIFIED BY:


 Ray Masayko,
 Mayor

ATTESTED BY:


 Alan Glover,
 Carson City Clerk-Recorder

Voting Districts	Precincts	Assembly Districts	
1	101	40	
2	102	40	
3	104/117	37	
4	106	40	
5	107/110	37	
6	108	37	
7	109	40	
8	111/227	40	
9	112	40	
10	113	40	
11	114/446	37	
12	220	40	
13	221/336	38	
14	222	38	
15	223/224	40	
16	225/260	38	
17	226	40	
18	229	38	
19	330	40	
20	331/482	40	
21	332	40	
22	333	40	
23	334/337/481	39	
24	335	40	
25	338	40	
26	339	40	
27	440	40	
28	444	40	
29	445	40	
30	448	40	
31	447/449	40	